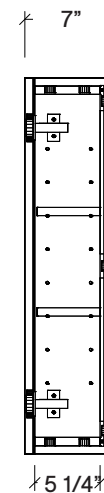
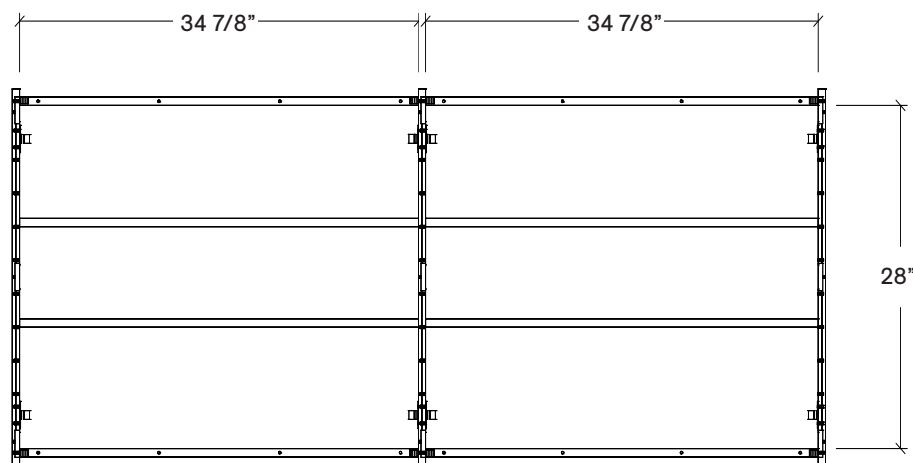
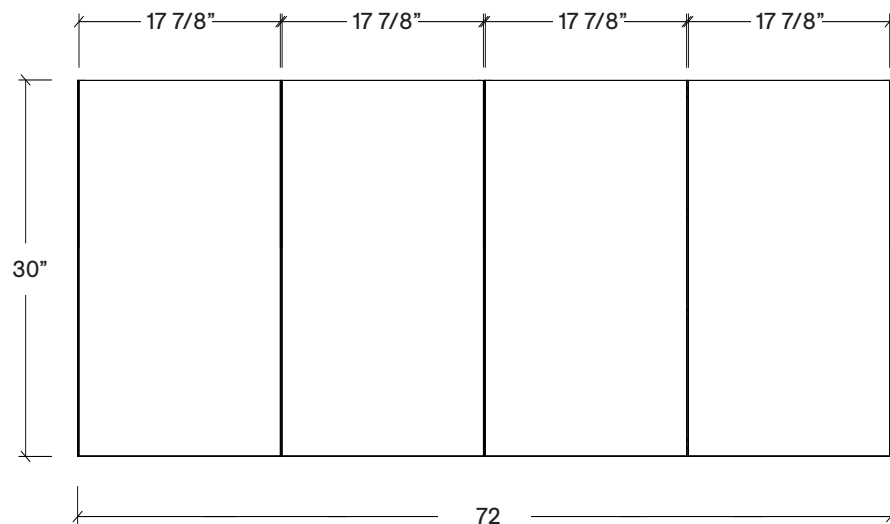




Range	Natick Medicine Cabinet
Mount	Wall
Size, Width	72in
SKU	NAT-MC-72-30-[Finish Code]



NOTES

Revision	1
Date	May 19, 2025 6:05 PM

DIMENSIONS ARE NOMINAL ONLY
AND SUBJECT TO CHANGE AT ANY TIME.
DO NOT SCALE DRAWINGS.
INSTALLER TO CONFIRM ALL
DIMENSIONS

Copyright ©

Timberline

300 Industrial Drive
Redwood Falls MN 56283
sales.usa@timberlinebp.com
www.timberlinebp.com