

Range	Roxbury
Mount	Floor Standing
Size	72" Double Bowl
SKU	ROX-V-72-D-18-L-[Color Code]
SKU	ROX-V-72-D-21-L-[Color Code]

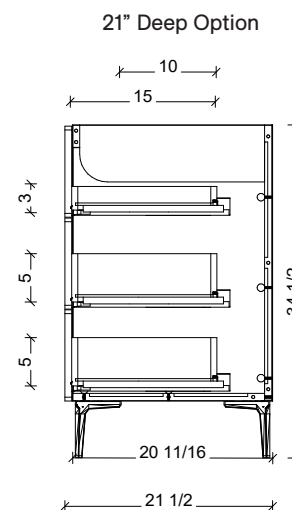
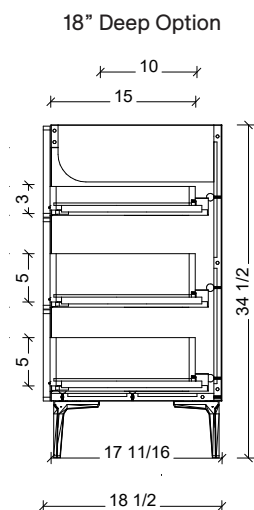
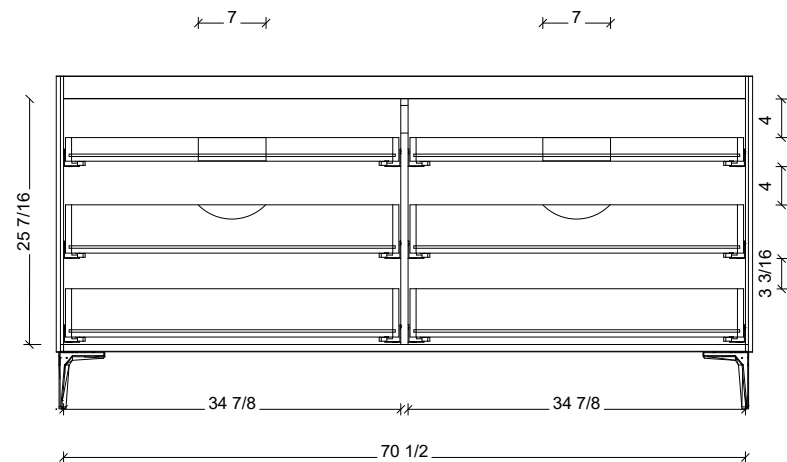
COMPATIBLE TOPS

Required Top Size - 73" x 19" / 22"

SilkSurface top with Ceramic Undermount

Quartz top with Ceramic Undermount

Ceramic Integrated Top



NOTES

Revision	1
Date	January 2, 2025 9:14 AM

DIMENSIONS ARE NOMINAL ONLY
AND SUBJECT TO CHANGE AT ANY TIME.
DO NOT SCALE DRAWINGS.
INSTALLER TO CONFIRM ALL
DIMENSIONS

Copyright ©

Please note, different leg styles may have slightly different heights. Overall cabinet height will remain 34 1/2", although cabinet may shrink or expand to reach this height.

Timberline

300 Industrial Drive
Redwood Falls MN 56283
sales.usa@timberlinebp.com
www.timberlinebp.com