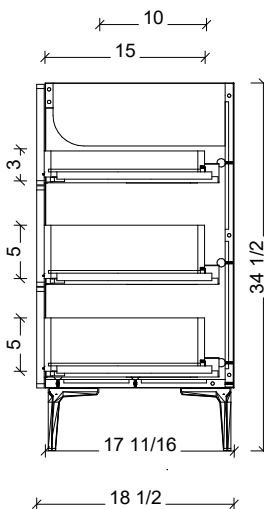
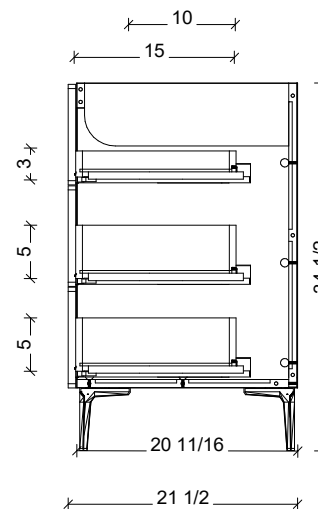


18" Deep Option



21" Deep Option



Please note, different leg styles may have slightly different heights. Overall cabinet height will remain 34 1/2", although cabinet may shrink or expand to reach this height.

Range	Roxbury
Mount	Floor Standing
Size	60" Single Bowl
SKU	ROX-V-60-C-18-L-[Color Code]
SKU	ROX-V-60-C-21-L-[Color Code]

COMPATIBLE TOPS

- Required Top Size - 61" x 19" / 22"
- SilkSurface top with Ceramic Undermount
- Quartz top with Ceramic Undermount
- Ceramic Integrated Top

NOTES

Revision	1
Date	January 2, 2025 9:14 AM

DIMENSIONS ARE NOMINAL ONLY AND SUBJECT TO CHANGE AT ANY TIME. DO NOT SCALE DRAWINGS. INSTALLER TO CONFIRM ALL DIMENSIONS

Copyright ©

**Timberline**

300 Industrial Drive  
 Redwood Falls MN 56283  
 sales.usa@timberlinebp.com  
 www.timberlinebp.com