



Range	Roxbury
Mount	Floor Standing
Size	42"
SKU	ROX-V-42-C-18-L-[Color Code]
SKU	ROX-V-42-C-21-L-[Color Code]

#### COMPATIBLE TOPS

Required Top Size - 43" x 19" / 22"

SilkSurface top with Ceramic Undermount

Quartz top with Ceramic Undermount

Ceramic Integrated Top

#### NOTES

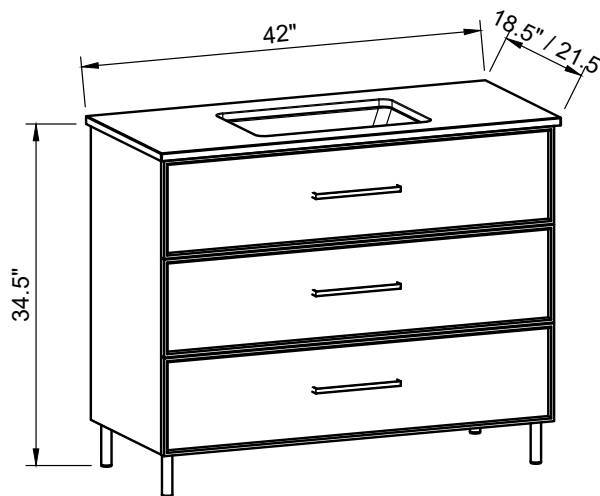
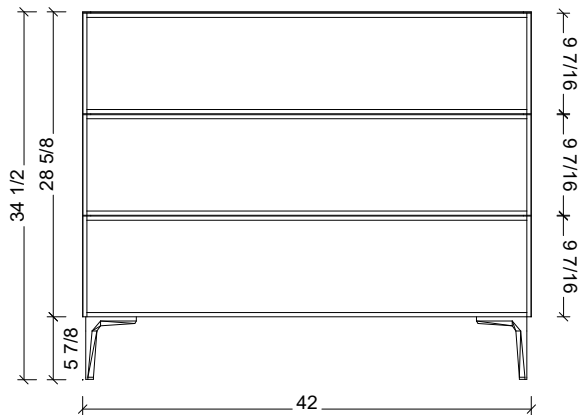
Revision	1
Date	January 2, 2025 9:14 AM

DIMENSIONS ARE NOMINAL ONLY  
AND SUBJECT TO CHANGE AT ANY TIME.  
DO NOT SCALE DRAWINGS.  
INSTALLER TO CONFIRM ALL  
DIMENSIONS

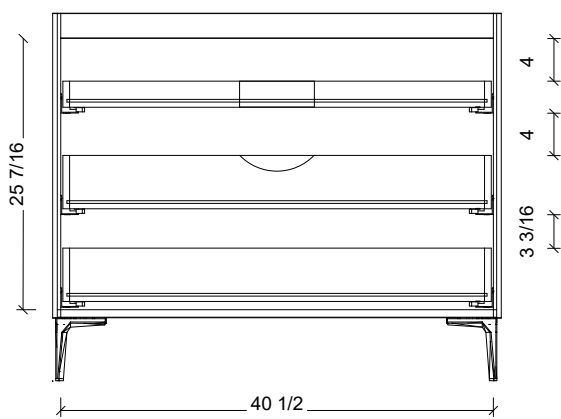
Copyright ©

# Timberline

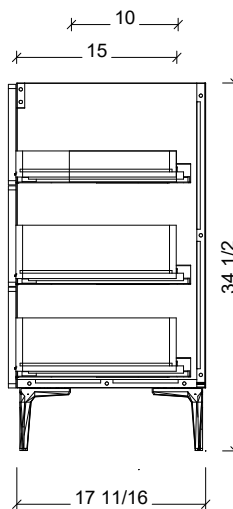
300 Industrial Drive  
Redwood Falls MN 56283  
sales.usa@timberlinebp.com  
www.timberlinebp.com



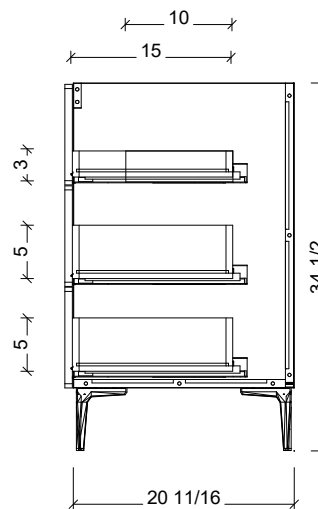
7



18" Deep Option



21" Deep Option



Please note, different leg styles may have slightly different heights. Overall cabinet height will remain 34 1/2", although cabinet may shrink or expand to reach this height.