



Range	Natick
Mount	Floor Standing
Size	42"
SKU	NAT-V-42-C-18-L-[Color Code]
SKU	NAT-V-42-C-21-L-[Color Code]

COMPATIBLE TOPS

Required Top Size - 43" x 19" / 22"

SilkSurface top with Ceramic Undermount

Quartz top with Ceramic Undermount

Ceramic Integrated Top

NOTES

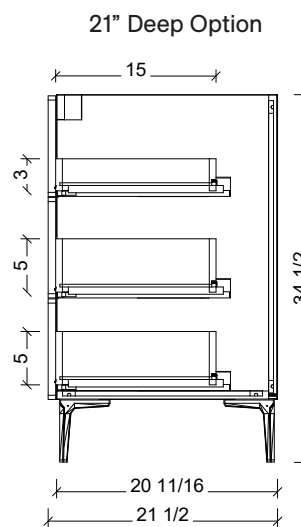
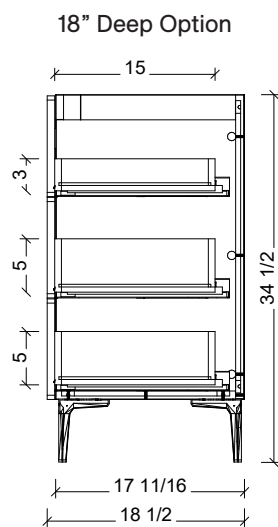
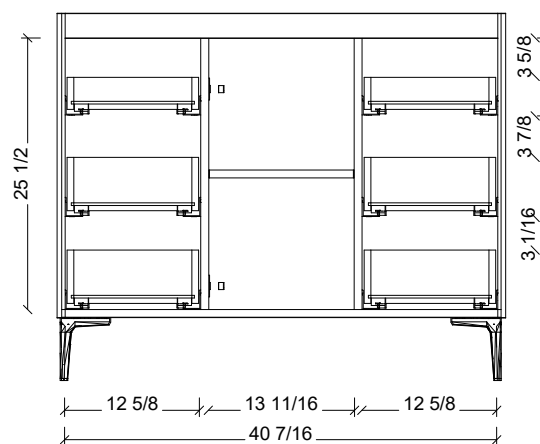
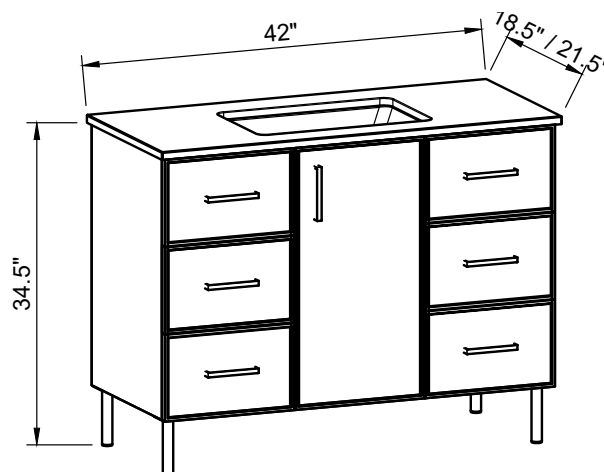
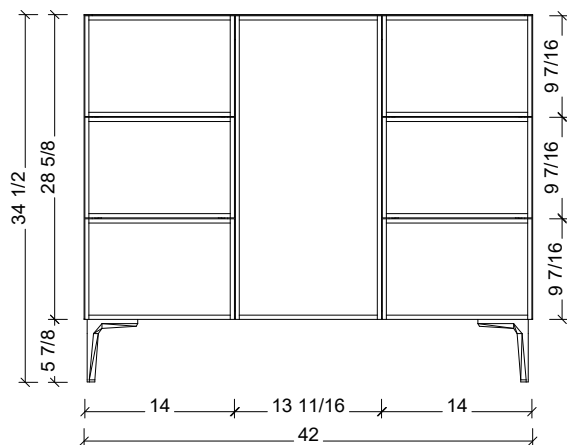
Revision	1
Date	December 17, 2024 9:52 PM

DIMENSIONS ARE NOMINAL ONLY
AND SUBJECT TO CHANGE AT ANY TIME.
DO NOT SCALE DRAWINGS.
INSTALLER TO CONFIRM ALL
DIMENSIONS

Copyright ©

Timberline

300 Industrial Drive
Redwood Falls MN 56283
sales.usa@timberlinebp.com
www.timberlinebp.com



Please note, different leg styles may have slightly different heights. Overall cabinet height will remain 34 1/2", although cabinet may shrink or expand to reach this height.