



100% Hand Made Cabinets

Timberline

Canadian Pricelist - All Collections





Why Choose Timberline



100% MADE IN USA CABINETS

Every single cabinet in this brochure is 100% made in the USA with sustainably sourced, engineered wood. That means you know you are getting a reliable product from a reliable source.



CUSTOM MADE DESIGNS

We know you want something a little unique just for you. We can adapt most of our cabinets to suit exactly what you need to bring some magic to your new bathroom.



MIX AND MATCH

You can mix and match your selections from our huge range of cabinet colors and handles. Personalize your vanity to create just the look you are after!

Add Value



We're locally grown, family owned and dedicated to putting quality first.

TIMBERLINE – A BATH FURNITURE MANUFACTURER

Since 2007, Timberline has designed and crafted made-to-order vanities to bring modern bathrooms to life. A bathroom is a sanctuary – a place for you to unwind, wash off the day and relax. So, it needs to be a space that is personal and special.

Originally based in regional New South Wales, Australia, the firm's expanding Armidale factory is home to state-of-the-art technology and highly skilled craftsmen – a jewel in the local business community.

Timberline has expanded into the American market by opening a manufacturing facility in Redwood Falls, a small town in southern Minnesota. We are a family-owned and family-run business that is passionate about hand crafting American-made bathroom vanities, mirrored cabinets and linen closets in a fast, easy-to-deal-with manner.

Talk to our sales team today to discover how the Timberline difference will help you come home to a space that feels truly personal.



Add Value



Contents

- 6 Stock Collection Pricelist
- 20 US Made to Order Collection Pricelist





Stock Collection Pricelist

- 8 Adelaide
- 11 Byron
- 13 Elenora
- 17 Whitehaven
- 18 Sydney Mirrored Cabinet
- 18 Avalon Mirror
- 18 Bondi Mirror

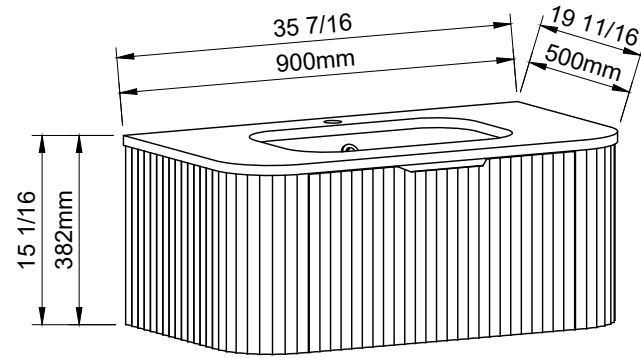
The following pricelist contains our suggested retail pricing for each of our standard vanity configurations and accessories as well as components that are available for separate purchase and upgrade options. This allows you to obtain an estimate on your choices. Pricing needs to be confirmed with a local dealer.

Vanities

ADELAIDE 36"

CABINET WITH: 20mm SilkSurface Top with Bodhi Undermount Sink

Wall Hung



White Satin Cabinet

SKU	TOP COLOR	HANDLE COLOR	FAUCET HOLE	MSRP
ADE-V-36-C-SSU-W-WH-OVB-AW-1	Arctic White	Black	1	\$6,352
ADE-V-36-C-SSU-W-WH-OVB-AW-3	Arctic White	Black	3	\$6,352
ADE-V-36-C-SSU-W-WH-OVB-CA-1	Carrara	Black	1	\$6,352
ADE-V-36-C-SSU-W-WH-OVB-CA-3	Carrara	Black	3	\$6,352
ADE-V-36-C-SSU-W-WH-OVG-AW-1	Arctic White	Gold	1	\$6,352
ADE-V-36-C-SSU-W-WH-OVG-AW-3	Arctic White	Gold	3	\$6,352
ADE-V-36-C-SSU-W-WH-OVG-CA-1	Carrara	Gold	1	\$6,352
ADE-V-36-C-SSU-W-WH-OVG-CA-3	Carrara	Gold	3	\$6,352
ADE-V-36-C-SSU-W-WH-OVN-AW-1	Arctic White	B/Nickel	1	\$6,352
ADE-V-36-C-SSU-W-WH-OVN-AW-3	Arctic White	B/Nickel	3	\$6,352
ADE-V-36-C-SSU-W-WH-OVN-CA-1	Carrara	B/Nickel	1	\$6,352
ADE-V-36-C-SSU-W-WH-OVN-CA-3	Carrara	B/Nickel	3	\$6,352

Olive Satin Cabinet

ADE-V-36-C-SSU-W-OS-OVB-AW-1	Arctic White	Black	1	\$6,352
ADE-V-36-C-SSU-W-OS-OVB-AW-3	Arctic White	Black	3	\$6,352
ADE-V-36-C-SSU-W-OS-OVB-CA-1	Carrara	Black	1	\$6,352
ADE-V-36-C-SSU-W-OS-OVB-CA-3	Carrara	Black	3	\$6,352
ADE-V-36-C-SSU-W-OS-OVG-AW-1	Arctic White	Gold	1	\$6,352
ADE-V-36-C-SSU-W-OS-OVG-AW-3	Arctic White	Gold	3	\$6,352
ADE-V-36-C-SSU-W-OS-OVG-CA-1	Carrara	Gold	1	\$6,352
ADE-V-36-C-SSU-W-OS-OVG-CA-3	Carrara	Gold	3	\$6,352
ADE-V-36-C-SSU-W-OS-OVN-AW-1	Arctic White	B/Nickel	1	\$6,352
ADE-V-36-C-SSU-W-OS-OVN-AW-3	Arctic White	B/Nickel	3	\$6,352
ADE-V-36-C-SSU-W-OS-OVN-CA-1	Carrara	B/Nickel	1	\$6,352
ADE-V-36-C-SSU-W-OS-OVN-CA-3	Carrara	B/Nickel	3	\$6,352

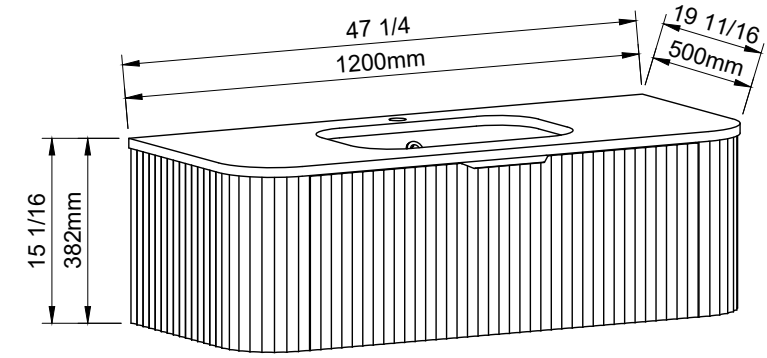
Prime Oak Cabinet

SKU	TOP COLOR	HANDLE COLOR	FAUCET HOLE	MSRP
ADE-V-36-C-SSU-W-PO-OVB-AW-1	Arctic White	Black	1	\$6,352
ADE-V-36-C-SSU-W-PO-OVB-AW-3	Arctic White	Black	3	\$6,352
ADE-V-36-C-SSU-W-PO-OVB-CA-1	Carrara	Black	1	\$6,352
ADE-V-36-C-SSU-W-PO-OVB-CA-3	Carrara	Black	3	\$6,352
ADE-V-36-C-SSU-W-PO-OVG-AW-1	Arctic White	Gold	1	\$6,352
ADE-V-36-C-SSU-W-PO-OVG-AW-3	Arctic White	Gold	3	\$6,352
ADE-V-36-C-SSU-W-PO-OVG-CA-1	Carrara	Gold	1	\$6,352
ADE-V-36-C-SSU-W-PO-OVG-CA-3	Carrara	Gold	3	\$6,352
ADE-V-36-C-SSU-W-PO-OVN-AW-1	Arctic White	B/Nickel	1	\$6,352
ADE-V-36-C-SSU-W-PO-OVN-AW-3	Arctic White	B/Nickel	3	\$6,352
ADE-V-36-C-SSU-W-PO-OVN-CA-1	Carrara	B/Nickel	1	\$6,352
ADE-V-36-C-SSU-W-PO-OVN-CA-3	Carrara	B/Nickel	3	\$6,352

ADELAIDE 48"

CABINET WITH: 20mm SilkSurface Top with Bodhi Undermount Sink

Wall Hung



White Satin Cabinet

SKU	TOP COLOR	HANDLE COLOR	FAUCET HOLE	MSRP
ADE-V-48-C-SSU-W-WH-OVB-AW-1	Arctic White	Black	1	\$7,291
ADE-V-48-C-SSU-W-WH-OVB-AW-3	Arctic White	Black	3	\$7,291
ADE-V-48-C-SSU-W-WH-OVB-CA-1	Carrara	Black	1	\$7,291
ADE-V-48-C-SSU-W-WH-OVB-CA-3	Carrara	Black	3	\$7,291
ADE-V-48-C-SSU-W-WH-OVG-AW-1	Arctic White	Gold	1	\$7,291
ADE-V-48-C-SSU-W-WH-OVG-AW-3	Arctic White	Gold	3	\$7,291
ADE-V-48-C-SSU-W-WH-OVG-CA-1	Carrara	Gold	1	\$7,291
ADE-V-48-C-SSU-W-WH-OVG-CA-3	Carrara	Gold	3	\$7,291
ADE-V-48-C-SSU-W-WH-OVN-AW-1	Arctic White	B/Nickel	1	\$7,291
ADE-V-48-C-SSU-W-WH-OVN-AW-3	Arctic White	B/Nickel	3	\$7,291
ADE-V-48-C-SSU-W-WH-OVN-CA-1	Carrara	B/Nickel	1	\$7,291
ADE-V-48-C-SSU-W-WH-OVN-CA-3	Carrara	B/Nickel	3	\$7,291

Olive Satin Cabinet

ADE-V-48-C-SSU-W-OS-OVB-AW-1	Arctic White	Black	1	\$7,291
ADE-V-48-C-SSU-W-OS-OVB-AW-3	Arctic White	Black	3	\$7,291
ADE-V-48-C-SSU-W-OS-OVB-CA-1	Carrara	Black	1	\$7,291
ADE-V-48-C-SSU-W-OS-OVB-CA-3	Carrara	Black	3	\$7,291
ADE-V-48-C-SSU-W-OS-OVG-AW-1	Arctic White	Gold	1	\$7,291
ADE-V-48-C-SSU-W-OS-OVG-AW-3	Arctic White	Gold	3	\$7,291
ADE-V-48-C-SSU-W-OS-OVG-CA-1	Carrara	Gold	1	\$7,291
ADE-V-48-C-SSU-W-OS-OVG-CA-3	Carrara	Gold	3	\$7,291
ADE-V-48-C-SSU-W-OS-OVN-AW-1	Arctic White	B/Nickel	1	\$7,291
ADE-V-48-C-SSU-W-OS-OVN-AW-3	Arctic White	B/Nickel	3	\$7,291
ADE-V-48-C-SSU-W-OS-OVN-CA-1	Carrara	B/Nickel	1	\$7,291
ADE-V-48-C-SSU-W-OS-OVN-CA-3	Carrara	B/Nickel	3	\$7,291

Prime Oak Cabinet

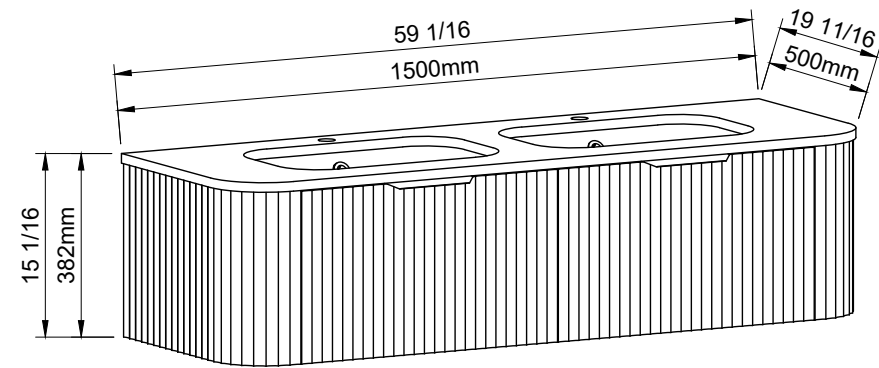
SKU	TOP COLOR	HANDLE COLOR	FAUCET HOLE	MSRP
ADE-V-48-C-SSU-W-PO-OVB-AW-1	Arctic White	Black	1	\$7,291
ADE-V-48-C-SSU-W-PO-OVB-AW-3	Arctic White	Black	3	\$7,291
ADE-V-48-C-SSU-W-PO-OVB-CA-1	Carrara	Black	1	\$7,291
ADE-V-48-C-SSU-W-PO-OVB-CA-3	Carrara	Black	3	\$7,291
ADE-V-48-C-SSU-W-PO-OVG-AW-1	Arctic White	Gold	1	\$7,291
ADE-V-48-C-SSU-W-PO-OVG-AW-3	Arctic White	Gold	3	\$7,291
ADE-V-48-C-SSU-W-PO-OVG-CA-1	Carrara	Gold	1	\$7,291
ADE-V-48-C-SSU-W-PO-OVG-CA-3	Carrara	Gold	3	\$7,291
ADE-V-48-C-SSU-W-PO-OVN-AW-1	Arctic White	B/Nickel	1	\$7,291
ADE-V-48-C-SSU-W-PO-OVN-AW-3	Arctic White	B/Nickel	3	\$7,291
ADE-V-48-C-SSU-W-PO-OVN-CA-1	Carrara	B/Nickel	1	\$7,291
ADE-V-48-C-SSU-W-PO-OVN-CA-3	Carrara	B/Nickel	3	\$7,291

Vanities

ADELAIDE 60"

CABINET WITH: 20mm SilkSurface Top with Bodhi Undermount Sink

Wall Hung



White Satin Cabinet

SKU	TOP COLOR	HANDLE COLOR	FAUCET HOLE	MSRP
ADE-V-60-C-SSU-W-WH-OVB-AW-1	Arctic White	Black	1	\$8,558
ADE-V-60-C-SSU-W-WH-OVB-AW-3	Arctic White	Black	3	\$8,558
ADE-V-60-C-SSU-W-WH-OVB-CA-1	Carrara	Black	1	\$8,558
ADE-V-60-C-SSU-W-WH-OVB-CA-3	Carrara	Black	3	\$8,558
ADE-V-60-C-SSU-W-WH-OVG-AW-1	Arctic White	Gold	1	\$8,558
ADE-V-60-C-SSU-W-WH-OVG-AW-3	Arctic White	Gold	3	\$8,558
ADE-V-60-C-SSU-W-WH-OVG-CA-1	Carrara	Gold	1	\$8,558
ADE-V-60-C-SSU-W-WH-OVG-CA-3	Carrara	Gold	3	\$8,558
ADE-V-60-C-SSU-W-WH-OVN-AW-1	Arctic White	B/Nickel	1	\$8,558
ADE-V-60-C-SSU-W-WH-OVN-AW-3	Arctic White	B/Nickel	3	\$8,558
ADE-V-60-C-SSU-W-WH-OVN-CA-1	Carrara	B/Nickel	1	\$8,558
ADE-V-60-C-SSU-W-WH-OVN-CA-3	Carrara	B/Nickel	3	\$8,558

Olive Satin Cabinet

ADE-V-60-C-SSU-W-OS-OVB-AW-1	Arctic White	Black	1	\$8,558
ADE-V-60-C-SSU-W-OS-OVB-AW-3	Arctic White	Black	3	\$8,558
ADE-V-60-C-SSU-W-OS-OVB-CA-1	Carrara	Black	1	\$8,558
ADE-V-60-C-SSU-W-OS-OVB-CA-3	Carrara	Black	3	\$8,558
ADE-V-60-C-SSU-W-OS-OVG-AW-1	Arctic White	Gold	1	\$8,558
ADE-V-60-C-SSU-W-OS-OVG-AW-3	Arctic White	Gold	3	\$8,558
ADE-V-60-C-SSU-W-OS-OVG-CA-1	Carrara	Gold	1	\$8,558
ADE-V-60-C-SSU-W-OS-OVG-CA-3	Carrara	Gold	3	\$8,558
ADE-V-60-C-SSU-W-OS-OVN-AW-1	Arctic White	B/Nickel	1	\$8,558
ADE-V-60-C-SSU-W-OS-OVN-AW-3	Arctic White	B/Nickel	3	\$8,558
ADE-V-60-C-SSU-W-OS-OVN-CA-1	Carrara	B/Nickel	1	\$8,558
ADE-V-60-C-SSU-W-OS-OVN-CA-3	Carrara	B/Nickel	3	\$8,558

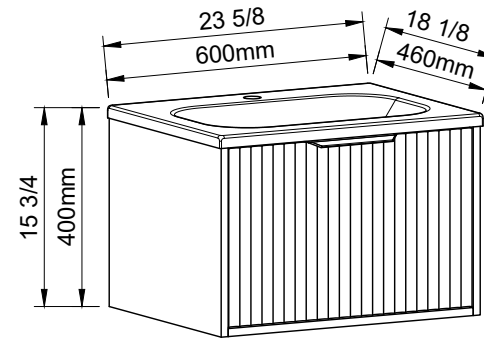
Prime Oak Cabinet

SKU	TOP COLOR	HANDLE COLOR	FAUCET HOLE	MSRP
ADE-V-60-C-SSU-W-PO-OVB-AW-1	Arctic White	Black	1	\$8,558
ADE-V-60-C-SSU-W-PO-OVB-AW-3	Arctic White	Black	3	\$8,558
ADE-V-60-C-SSU-W-PO-OVB-CA-1	Carrara	Black	1	\$8,558
ADE-V-60-C-SSU-W-PO-OVB-CA-3	Carrara	Black	3	\$8,558
ADE-V-60-C-SSU-W-PO-OVG-AW-1	Arctic White	Gold	1	\$8,558
ADE-V-60-C-SSU-W-PO-OVG-AW-3	Arctic White	Gold	3	\$8,558
ADE-V-60-C-SSU-W-PO-OVG-CA-1	Carrara	Gold	1	\$8,558
ADE-V-60-C-SSU-W-PO-OVG-CA-3	Carrara	Gold	3	\$8,558
ADE-V-60-C-SSU-W-PO-OVN-AW-1	Arctic White	B/Nickel	1	\$8,558
ADE-V-60-C-SSU-W-PO-OVN-AW-3	Arctic White	B/Nickel	3	\$8,558
ADE-V-60-C-SSU-W-PO-OVN-CA-1	Carrara	B/Nickel	1	\$8,558
ADE-V-60-C-SSU-W-PO-OVN-CA-3	Carrara	B/Nickel	3	\$8,558

BYRON 24"

CABINET WITH: Duroclass Stadium Mineral Composite Top

Wall Hung



Prime Oak Cabinet

SKU	TOP COLOR	HANDLE COLOR	FAUCET HOLE	MSRP
BYR-V-24-C-STA-W-PO-OVB-1	White Gloss	Black	1	\$4,697
BYR-V-24-C-STA-W-PO-OVB-3	White Gloss	Black	3	\$4,697
BYR-V-24-C-STA-W-PO-OVG-1	White Gloss	Gold	1	\$4,697
BYR-V-24-C-STA-W-PO-OVG-3	White Gloss	Gold	3	\$4,697
BYR-V-24-C-STA-W-PO-OVN-1	White Gloss	B/Nickel	1	\$4,697
BYR-V-24-C-STA-W-PO-OVN-3	White Gloss	B/Nickel	3	\$4,697
BYR-V-24-C-X-W-PO-OVB	Cabinet Only	Black	N/A	\$3,772
BYR-V-24-C-X-W-PO-OVG	Cabinet Only	Gold	N/A	\$3,772
BYR-V-24-C-X-W-PO-OVN	Cabinet Only	B/Nickel	N/A	\$3,772

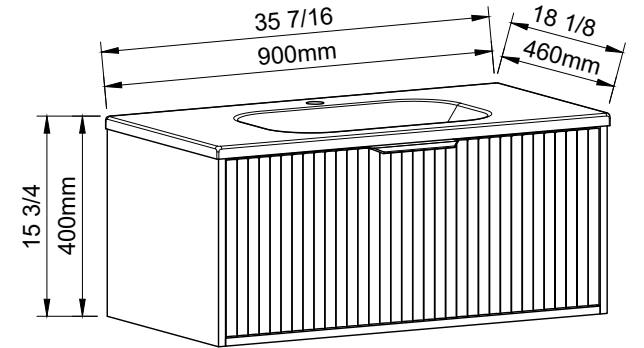
Florentine Walnut Cabinet

BYR-V-24-C-STA-W-FW-OVB-1	White Gloss	Black	1	\$4,697
BYR-V-24-C-STA-W-FW-OVB-3	White Gloss	Black	3	\$4,697
BYR-V-24-C-STA-W-FW-OVG-1	White Gloss	Gold	1	\$4,697
BYR-V-24-C-STA-W-FW-OVG-3	White Gloss	Gold	3	\$4,697
BYR-V-24-C-STA-W-FW-OVN-1	White Gloss	B/Nickel	1	\$4,697
BYR-V-24-C-STA-W-FW-OVN-3	White Gloss	B/Nickel	3	\$4,697
BYR-V-24-C-X-W-FW-OVB	Cabinet Only	Black	N/A	\$3,772
BYR-V-24-C-X-W-FW-OVG	Cabinet Only	Gold	N/A	\$3,772
BYR-V-24-C-X-W-FW-OVN	Cabinet Only	B/Nickel	N/A	\$3,772

BYRON 36"

CABINET WITH: Duroclass Stadium Mineral Composite Top

Wall Hung



Prime Oak Cabinet

SKU	TOP COLOR	HANDLE COLOR	FAUCET HOLE	MSRP
BYR-V-36-C-STA-W-PO-OVB-1	White Gloss	Black	1	\$5,219
BYR-V-36-C-STA-W-PO-OVB-3	White Gloss	Black	3	\$5,219
BYR-V-36-C-STA-W-PO-OVG-1	White Gloss	Gold	1	\$5,219
BYR-V-36-C-STA-W-PO-OVG-3	White Gloss	Gold	3	\$5,219
BYR-V-36-C-STA-W-PO-OVN-1	White Gloss	B/Nickel	1	\$5,219
BYR-V-36-C-STA-W-PO-OVN-3	White Gloss	B/Nickel	3	\$5,219
BYR-V-36-C-X-W-PO-OVB	Cabinet Only	Black	N/A	\$4,175
BYR-V-36-C-X-W-PO-OVG	Cabinet Only	Gold	N/A	\$4,175
BYR-V-36-C-X-W-PO-OVN	Cabinet Only	B/Nickel	N/A	\$4,175

Florentine Walnut Cabinet

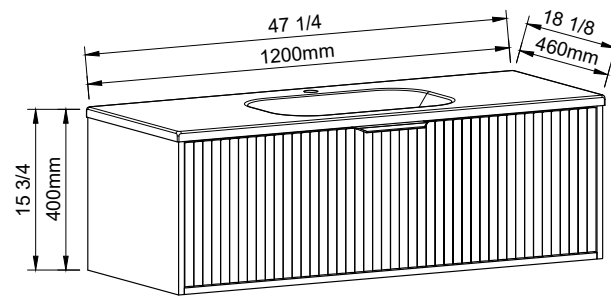
BYR-V-36-C-STA-W-FW-OVB-1	White Gloss	Black	1	\$5,219
BYR-V-36-C-STA-W-FW-OVB-3	White Gloss	Black	3	\$5,219
BYR-V-36-C-STA-W-FW-OVG-1	White Gloss	Gold	1	\$5,219
BYR-V-36-C-STA-W-FW-OVG-3	White Gloss	Gold	3	\$5,219
BYR-V-36-C-STA-W-FW-OVN-1	White Gloss	B/Nickel	1	\$5,219
BYR-V-36-C-STA-W-FW-OVN-3	White Gloss	B/Nickel	3	\$5,219
BYR-V-36-C-X-W-FW-OVB	Cabinet Only	Black	N/A	\$4,175
BYR-V-36-C-X-W-FW-OVG	Cabinet Only	Gold	N/A	\$4,175
BYR-V-36-C-X-W-FW-OVN	Cabinet Only	B/Nickel	N/A	\$4,175

Vanities

BYRON 48"

CABINET WITH: Duroclass Stadium Mineral Composite Top

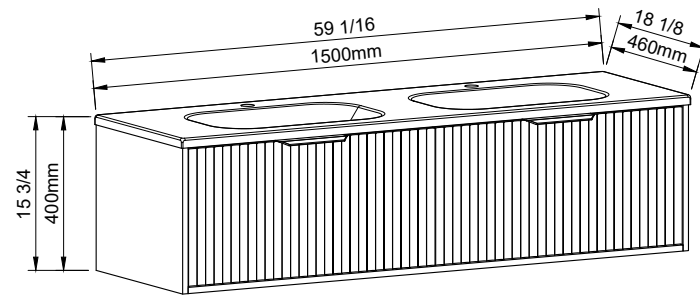
Wall Hung



BYRON 60"

CABINET WITH: Duroclass Stadium Mineral Composite Top

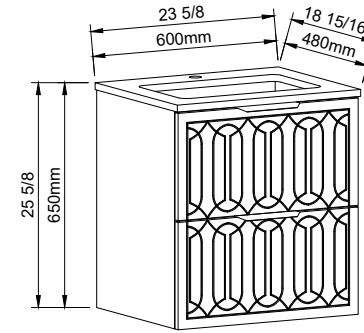
Wall Hung



ELENORA 24"

CABINET WITH: 20mm SilkSurface Top with Rectangle Undermount Sink

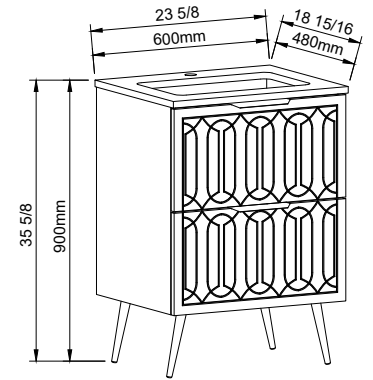
Wall Hung



ELENORA 24"

CABINET WITH: 20mm SilkSurface Top with Rectangle Undermount Sink

On Legs



Prime Oak Cabinet

SKU	TOP COLOR	HANDLE COLOR	FAUCET HOLE	MSRP
BYR-V-48-C-STA-W-PO-OVB-1	White Gloss	Black	1	\$6,262
BYR-V-48-C-STA-W-PO-OVB-3	White Gloss	Black	3	\$6,262
BYR-V-48-C-STA-W-PO-OVG-1	White Gloss	Gold	1	\$6,262
BYR-V-48-C-STA-W-PO-OVG-3	White Gloss	Gold	3	\$6,262
BYR-V-48-C-STA-W-PO-OVN-1	White Gloss	B/Nickel	1	\$6,262
BYR-V-48-C-STA-W-PO-OVN-3	White Gloss	B/Nickel	3	\$6,262
BYR-V-48-C-X-W-PO-OVB	Vanity Cabinet Only	Black	N/A	\$4,861
BYR-V-48-C-X-W-PO-OVG	Vanity Cabinet Only	Gold	N/A	\$4,861
BYR-V-48-C-X-W-PO-OVN	Vanity Cabinet Only	B/Nickel	N/A	\$4,861

Florentine Walnut Cabinet

BYR-V-48-C-STA-W-FW-OVB-1	White Gloss	Black	1	\$6,262
BYR-V-48-C-STA-W-FW-OVB-3	White Gloss	Black	3	\$6,262
BYR-V-48-C-STA-W-FW-OVG-1	White Gloss	Gold	1	\$6,262
BYR-V-48-C-STA-W-FW-OVG-3	White Gloss	Gold	3	\$6,262
BYR-V-48-C-STA-W-FW-OVN-1	White Gloss	B/Nickel	1	\$6,262
BYR-V-48-C-STA-W-FW-OVN-3	White Gloss	B/Nickel	3	\$6,262
BYR-V-48-C-X-W-FW-OVB	Vanity Cabinet Only	Black	N/A	\$4,861
BYR-V-48-C-X-W-FW-OVG	Vanity Cabinet Only	Gold	N/A	\$4,861
BYR-V-48-C-X-W-FW-OVN	Vanity Cabinet Only	B/Nickel	N/A	\$4,861

Prime Oak Cabinet

SKU	TOP COLOR	HANDLE COLOR	FAUCET HOLE	MSRP
BYR-V-60-C-STA-W-PO-OVB-1	White Gloss	Black	1	\$7,932
BYR-V-60-C-STA-W-PO-OVB-3	White Gloss	Black	3	\$7,932
BYR-V-60-C-STA-W-PO-OVG-1	White Gloss	Gold	1	\$7,932
BYR-V-60-C-STA-W-PO-OVG-3	White Gloss	Gold	3	\$7,932
BYR-V-60-C-STA-W-PO-OVN-1	White Gloss	B/Nickel	1	\$7,932
BYR-V-60-C-STA-W-PO-OVN-3	White Gloss	B/Nickel	3	\$7,932
BYR-V-60-C-X-W-PO-OVB	Vanity Cabinet Only	Black	N/A	\$6,531
BYR-V-60-C-X-W-PO-OVG	Vanity Cabinet Only	Gold	N/A	\$6,531
BYR-V-60-C-X-W-PO-OVN	Vanity Cabinet Only	B/Nickel	N/A	\$6,531

Florentine Walnut Cabinet

BYR-V-60-C-STA-W-FW-OVB-1	White Gloss	Black	1	\$7,932
BYR-V-60-C-STA-W-FW-OVB-3	White Gloss	Black	3	\$7,932
BYR-V-60-C-STA-W-FW-OVG-1	White Gloss	Gold	1	\$7,932
BYR-V-60-C-STA-W-FW-OVG-3	White Gloss	Gold	3	\$7,932
BYR-V-60-C-STA-W-FW-OVN-1	White Gloss	B/Nickel	1	\$7,932
BYR-V-60-C-STA-W-FW-OVN-3	White Gloss	B/Nickel	3	\$7,932
BYR-V-60-C-X-W-FW-OVB	Vanity Cabinet Only	Black	N/A	\$6,531
BYR-V-60-C-X-W-FW-OVG	Vanity Cabinet Only	Gold	N/A	\$6,531
BYR-V-60-C-X-W-FW-OVN	Vanity Cabinet Only	B/Nickel	N/A	\$6,531

White Satin Cabinet

SKU	TOP COLOR	HANDLE COLOR	FAUCET HOLE	MSRP
ELE-V-24-C-SSU-W-WH-OVB-AW-1	Arctic White	Black	1	\$4,205
ELE-V-24-C-SSU-W-WH-OVB-AW-3	Arctic White	Black	3	\$4,205
ELE-V-24-C-SSU-W-WH-OVB-CA-1	Carrara	Black	1	\$4,205
ELE-V-24-C-SSU-W-WH-OVB-CA-3	Carrara	Black	3	\$4,205
ELE-V-24-C-SSU-W-WH-OVG-AW-1	Arctic White	Gold	1	\$4,205
ELE-V-24-C-SSU-W-WH-OVG-AW-3	Arctic White	Gold	3	\$4,205
ELE-V-24-C-SSU-W-WH-OVG-CA-1	Carrara	Gold	1	\$4,205
ELE-V-24-C-SSU-W-WH-OVG-CA-3	Carrara	Gold	3	\$4,205
ELE-V-24-C-SSU-W-WH-OVN-AW-1	Arctic White	B/Nickel	1	\$4,205
ELE-V-24-C-SSU-W-WH-OVN-AW-3	Arctic White	B/Nickel	3	\$4,205
ELE-V-24-C-SSU-W-WH-OVN-CA-1	Carrara	B/Nickel	1	\$4,205
ELE-V-24-C-SSU-W-WH-OVN-CA-3	Carrara	B/Nickel	3	\$4,205
ELE-V-24-C-X-W-WH-OVB	Vanity Cabinet Only	Black	N/A	\$2,937
ELE-V-24-C-X-W-WH-OVG	Vanity Cabinet Only	Gold	N/A	\$2,937
ELE-V-24-C-X-W-WH-OVN	Vanity Cabinet Only	B/Nickel	N/A	\$2,937

Black Satin Cabinet

ELE-V-24-C-SSU-W-BL-OVB-AW-1	Arctic White	Black	1	\$4,205
ELE-V-24-C-SSU-W-BL-OVB-AW-3	Arctic White	Black	3	\$4,205
ELE-V-24-C-SSU-W-BL-OVB-CA-1	Carrara	Black	1	\$4,205
ELE-V-24-C-SSU-W-BL-OVB-CA-3	Carrara	Black	3	\$4,205
ELE-V-24-C-SSU-W-BL-OVG-AW-1	Arctic White	Gold	1	\$4,205
ELE-V-24-C-SSU-W-BL-OVG-AW-3	Arctic White	Gold	3	\$4,205
ELE-V-24-C-SSU-W-BL-OVG-CA-1	Carrara	Gold	1	\$4,205
ELE-V-24-C-SSU-W-BL-OVG-CA-3	Carrara	Gold	3	\$4,205
ELE-V-24-C-SSU-W-BL-OVN-AW-1	Arctic White	B/Nickel	1	\$4,205
ELE-V-24-C-SSU-W-BL-OVN-AW-3	Arctic White	B/Nickel	3	\$4,205
ELE-V-24-C-SSU-W-BL-OVN-CA-1	Carrara	B/Nickel	1	\$4,205
ELE-V-24-C-SSU-W-BL-OVN-CA-3	Carrara	B/Nickel	3	\$4,205
ELE-V-24-C-X-W-BL-OVB	Vanity Cabinet Only	Black	N/A	\$2,937
ELE-V-24-C-X-W-BL-OVG	Vanity Cabinet Only	Gold	N/A	\$2,937
ELE-V-24-C-X-W-BL-OVN	Vanity Cabinet Only	B/Nickel	N/A	\$2,937

White Satin Cabinet

SKU	TOP COLOR	HANDLE COLOR	FAUCET HOLE	MSRP
ELE-V-24-C-SSU-L-WH-OVB-AW-1	Arctic White	Black	1	\$4,384
ELE-V-24-C-SSU-L-WH-OVB-AW-3	Arctic White	Black	3	\$4,384
ELE-V-24-C-SSU-L-WH-OVB-CA-1	Carrara	Black	1	\$4,384
ELE-V-24-C-SSU-L-WH-OVB-CA-3	Carrara	Black	3	\$4,384
ELE-V-24-C-SSU-L-WH-OVG-AW-1	Arctic White	Gold	1	\$4,384
ELE-V-24-C-SSU-L-WH-OVG-AW-3	Arctic White	Gold	3	\$4,384
ELE-V-24-C-SSU-L-WH-OVG-CA-1	Carrara	Gold	1	\$4,384
ELE-V-24-C-SSU-L-WH-OVG-CA-3	Carrara	Gold	3	\$4,384
ELE-V-24-C-SSU-L-WH-OVN-AW-1	Arctic White	B/Nickel	1	\$4,384
ELE-V-24-C-SSU-L-WH-OVN-AW-3	Arctic White	B/Nickel	3	\$4,384
ELE-V-24-C-SSU-L-WH-OVN-CA-1	Carrara	B/Nickel	1	\$4,384
ELE-V-24-C-SSU-L-WH-OVN-CA-3	Carrara	B/Nickel	3	\$4,384
ELE-V-24-C-X-L-WH-OVB	Vanity Cabinet Only	Black	N/A	\$3,116
ELE-V-24-C-X-L-WH-OVG	Vanity Cabinet Only	Gold	N/A	\$3,116
ELE-V-24-C-X-L-WH-OVN	Vanity Cabinet Only	B/Nickel	N/A	\$3,116

Black Satin Cabinet

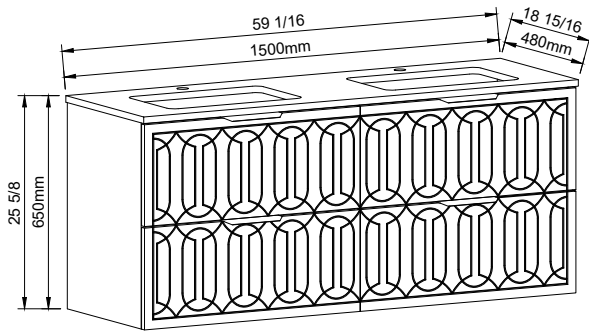
ELE-V-24-C-SSU-L-BL-OVB-AW-1	Arctic White	Black	1	\$4,384
ELE-V-24-C-SSU-L-BL-OVB-AW-3	Arctic White	Black	3	\$4,384
ELE-V-24-C-SSU-L-BL-OVB-CA-1	Carrara	Black	1	\$4,384
ELE-V-24-C-SSU-L-BL-OVB-CA-3	Carrara	Black	3	\$4,384
ELE-V-24-C-SSU-L-BL-OVG-AW-1	Arctic White	Gold	1	\$4,384
ELE-V-24-C-SSU-L-BL-OVG-AW-3	Arctic White	Gold	3	\$4,384
ELE-V-24-C-SSU-L-BL-OVG-CA-1	Carrara	Gold	1	\$4,384
ELE-V-24-C-SSU-L-BL-OVG-CA-3	Carrara	Gold	3	\$4,384
ELE-V-24-C-SSU-L-BL-OVN-AW-1	Arctic White	B/Nickel	1	\$4,384
ELE-V-24-C-SSU-L-BL-OVN-AW-3	Arctic White	B/Nickel	3	\$4,384
ELE-V-24-C-SSU-L-BL-OVN-CA-1	Carrara	B/Nickel	1	\$4,384
ELE-V-24-C-SSU-L-BL-OVN-CA-3	Carrara	B/Nickel	3	\$4,384
ELE-V-24-C-X-L-BL-OVB	Vanity Cabinet Only	Black	N/A	\$3,116
ELE-V-24-C-X-L-BL-OVG	Vanity Cabinet Only	Gold	N/A	\$3,116
ELE-V-24-C-X-L-BL-OVN	Vanity Cabinet Only	B/Nickel	N/A	\$3,116

Vanities

ELENORA 60"

CABINET WITH: 20mm SilkSurface Top with Rectangle Undermount Sink

Wall Hung



White Satin Cabinet

SKU	TOP COLOR	HANDLE COLOR	FAUCET HOLE	MSRP
ELE-V-60-C-SSU-W-WH-OVB-AW-1	Arctic White	Black	1	\$9,990
ELE-V-60-C-SSU-W-WH-OVB-AW-3	Arctic White	Black	3	\$9,990
ELE-V-60-C-SSU-W-WH-OVB-CA-1	Carrara	Black	1	\$9,990
ELE-V-60-C-SSU-W-WH-OVB-CA-3	Carrara	Black	3	\$9,990
ELE-V-60-C-SSU-W-WH-OVG-AW-1	Arctic White	Gold	1	\$9,990
ELE-V-60-C-SSU-W-WH-OVG-AW-3	Arctic White	Gold	3	\$9,990
ELE-V-60-C-SSU-W-WH-OVG-CA-1	Carrara	Gold	1	\$9,990
ELE-V-60-C-SSU-W-WH-OVG-CA-3	Carrara	Gold	3	\$9,990
ELE-V-60-C-SSU-W-WH-OVN-AW-1	Arctic White	B/Nickel	1	\$9,990
ELE-V-60-C-SSU-W-WH-OVN-AW-3	Arctic White	B/Nickel	3	\$9,990
ELE-V-60-C-SSU-W-WH-OVN-CA-1	Carrara	B/Nickel	1	\$9,990
ELE-V-60-C-SSU-W-WH-OVN-CA-3	Carrara	B/Nickel	3	\$9,990
ELE-V-60-C-X-W-WH-OVB	Vanity Cabinet Only	Black	N/A	\$7,380
ELE-V-60-C-X-W-WH-OVG	Vanity Cabinet Only	Gold	N/A	\$7,380
ELE-V-60-C-X-W-WH-OVN	Vanity Cabinet Only	B/Nickel	N/A	\$7,380

Black Satin Cabinet

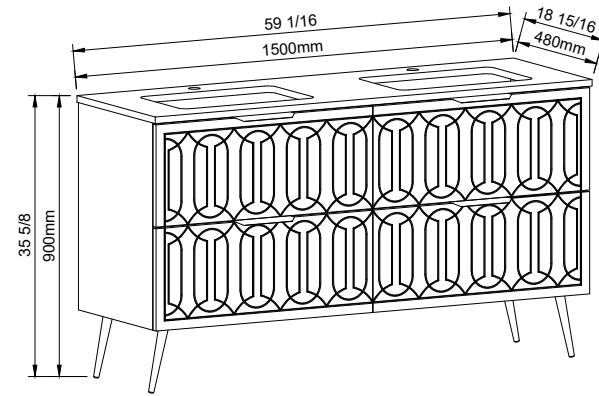
ELE-V-60-C-SSU-W-BL-OVB-AW-1	Arctic White	Black	1	\$9,990
ELE-V-60-C-SSU-W-BL-OVB-AW-3	Arctic White	Black	3	\$9,990
ELE-V-60-C-SSU-W-BL-OVB-CA-1	Carrara	Black	1	\$9,990
ELE-V-60-C-SSU-W-BL-OVB-CA-3	Carrara	Black	3	\$9,990
ELE-V-60-C-SSU-W-BL-OVG-AW-1	Arctic White	Gold	1	\$9,990
ELE-V-60-C-SSU-W-BL-OVG-AW-3	Arctic White	Gold	3	\$9,990
ELE-V-60-C-SSU-W-BL-OVG-CA-1	Carrara	Gold	1	\$9,990
ELE-V-60-C-SSU-W-BL-OVG-CA-3	Carrara	Gold	3	\$9,990
ELE-V-60-C-SSU-W-BL-OVN-AW-1	Arctic White	B/Nickel	1	\$9,990
ELE-V-60-C-SSU-W-BL-OVN-AW-3	Arctic White	B/Nickel	3	\$9,990
ELE-V-60-C-SSU-W-BL-OVN-CA-1	Carrara	B/Nickel	1	\$9,990
ELE-V-60-C-SSU-W-BL-OVN-CA-3	Carrara	B/Nickel	3	\$9,990
ELE-V-60-C-X-W-BL-OVB	Vanity Cabinet Only	Black	N/A	\$7,380
ELE-V-60-C-X-W-BL-OVG	Vanity Cabinet Only	Gold	N/A	\$7,380
ELE-V-60-C-X-W-BL-OVN	Vanity Cabinet Only	B/Nickel	N/A	\$7,380

16 Note: 0 faucet holes are available on SilkSurface tops. B/Nickel = Brushed Nickel.

ELENORA 60"

CABINET WITH: 20mm SilkSurface Top with Rectangle Undermount Sink

On Legs



White Satin Cabinet

SKU	TOP COLOR	HANDLE COLOR	FAUCET HOLE	MSRP
ELE-V-60-C-SSU-L-WH-OVB-AW-1	Arctic White	Black	1	\$10,258
ELE-V-60-C-SSU-L-WH-OVB-AW-3	Arctic White	Black	3	\$10,258
ELE-V-60-C-SSU-L-WH-OVB-CA-1	Carrara	Black	1	\$10,258
ELE-V-60-C-SSU-L-WH-OVB-CA-3	Carrara	Black	3	\$10,258
ELE-V-60-C-SSU-L-WH-OVG-AW-1	Arctic White	Gold	1	\$10,258
ELE-V-60-C-SSU-L-WH-OVG-AW-3	Arctic White	Gold	3	\$10,258
ELE-V-60-C-SSU-L-WH-OVG-CA-1	Carrara	Gold	1	\$10,258
ELE-V-60-C-SSU-L-WH-OVG-CA-3	Carrara	Gold	3	\$10,258
ELE-V-60-C-SSU-L-WH-OVN-AW-1	Arctic White	B/Nickel	1	\$10,258
ELE-V-60-C-SSU-L-WH-OVN-AW-3	Arctic White	B/Nickel	3	\$10,258
ELE-V-60-C-SSU-L-WH-OVN-CA-1	Carrara	B/Nickel	1	\$10,258
ELE-V-60-C-SSU-L-WH-OVN-CA-3	Carrara	B/Nickel	3	\$10,258
ELE-V-60-C-X-L-WH-OVB	Vanity Cabinet Only	Black	N/A	\$7,649
ELE-V-60-C-X-L-WH-OVG	Vanity Cabinet Only	Gold	N/A	\$7,649
ELE-V-60-C-X-L-WH-OVN	Vanity Cabinet Only	B/Nickel	N/A	\$7,649

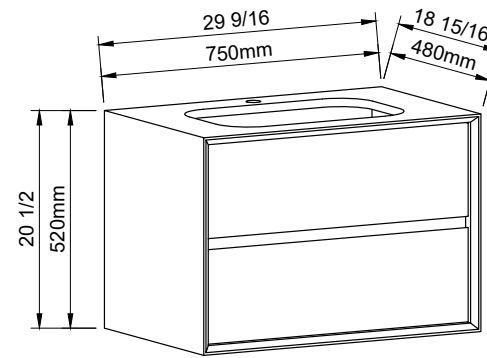
Black Satin Cabinet

ELE-V-60-C-SSU-L-BL-OVB-AW-1	Arctic White	Black	1	\$10,258
ELE-V-60-C-SSU-L-BL-OVB-AW-3	Arctic White	Black	3	\$10,258
ELE-V-60-C-SSU-L-BL-OVB-CA-1	Carrara	Black	1	\$10,258
ELE-V-60-C-SSU-L-BL-OVB-CA-3	Carrara	Black	3	\$10,258
ELE-V-60-C-SSU-L-BL-OVG-AW-1	Arctic White	Gold	1	\$10,258
ELE-V-60-C-SSU-L-BL-OVG-AW-3	Arctic White	Gold	3	\$10,258
ELE-V-60-C-SSU-L-BL-OVG-CA-1	Carrara	Gold	1	\$10,258
ELE-V-60-C-SSU-L-BL-OVG-CA-3	Carrara	Gold	3	\$10,258
ELE-V-60-C-SSU-L-BL-OVN-AW-1	Arctic White	B/Nickel	1	\$10,258
ELE-V-60-C-SSU-L-BL-OVN-AW-3	Arctic White	B/Nickel	3	\$10,258
ELE-V-60-C-SSU-L-BL-OVN-CA-1	Carrara	B/Nickel	1	\$10,258
ELE-V-60-C-SSU-L-BL-OVN-CA-3	Carrara	B/Nickel	3	\$10,258
ELE-V-60-C-X-L-BL-OVB	Vanity Cabinet Only	Black	N/A	\$7,649
ELE-V-60-C-X-L-BL-OVG	Vanity Cabinet Only	Gold	N/A	\$7,649
ELE-V-60-C-X-L-BL-OVN	Vanity Cabinet Only	B/Nickel	N/A	\$7,649

WHITEHAVEN 30"

CABINET WITH: 20mm SilkSurface Surround with Bodhi Undermount Sink

Wall Hung



Prime Oak Cabinet

SKU	TOP COLOR	FAUCET HOLE	MSRP
WHI-V-30-C-SSU-W-PO-FP-AW-1	Arctic White	1	\$5,591
WHI-V-30-C-SSU-W-PO-FP-AW-3	Arctic White	3	\$5,591

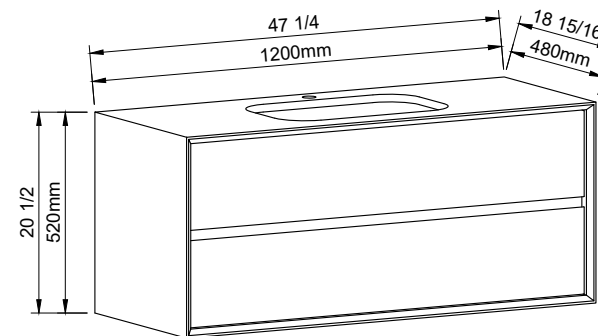
Florentine Walnut Cabinet

WHI-V-30-C-SSU-W-FW-FP-AW-1	Arctic White	1	\$5,591
WHI-V-30-C-SSU-W-FW-FP-AW-3	Arctic White	3	\$5,591

WHITEHAVEN 48"

CABINET WITH: 20mm SilkSurface Surround with Bodhi Undermount Sink

Wall Hung



Prime Oak Cabinet

SKU	TOP COLOR	FAUCET HOLE	MSRP
WHI-V-48-C-SSU-W-FW-FP-AW-1	Arctic White	1	\$6,784
WHI-V-48-C-SSU-W-FW-FP-AW-3	Arctic White	3	\$6,784

Florentine Walnut Cabinet

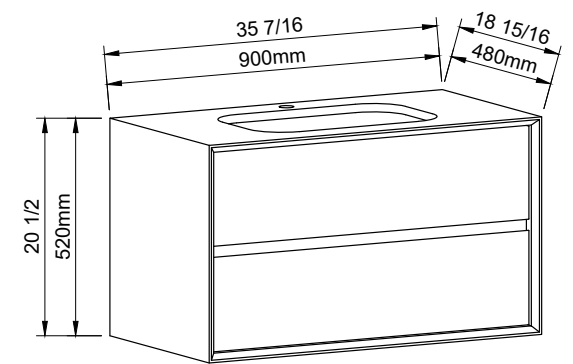
WHI-V-48-C-SSU-W-FW-FP-AW-1	Arctic White	1	\$6,784
WHI-V-48-C-SSU-W-FW-FP-AW-3	Arctic White	3	\$6,784

Note: 0 faucet holes are available on SilkSurface tops. B/Nickel = Brushed Nickel.

WHITEHAVEN 36"

CABINET WITH: 20mm SilkSurface Surround with Bodhi Undermount Sink

Wall Hung



Prime Oak Cabinet

SKU	TOP COLOR	FAUCET HOLE	MSRP
WHI-V-36-C-SSU-W-PO-FP-AW-1	Arctic White	1	\$6,158
WHI-V-36-C-SSU-W-PO-FP-AW-3	Arctic White	3	\$6,158

Florentine Walnut Cabinet

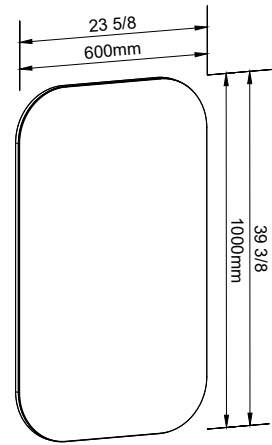
WHI-V-36-C-SSU-W-FW-FP-AW-1	Arctic White	1	\$6,158
WHI-V-36-C-SSU-W-FW-FP-AW-3	Arctic White	3	\$6,158

17

Mirrors

AVALON

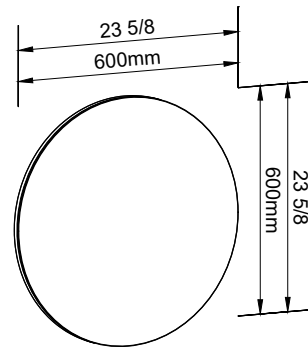
600mm (24")



SKU	MSRP
AVA-M-24-40	\$1,267

BONDI

600mm (24")

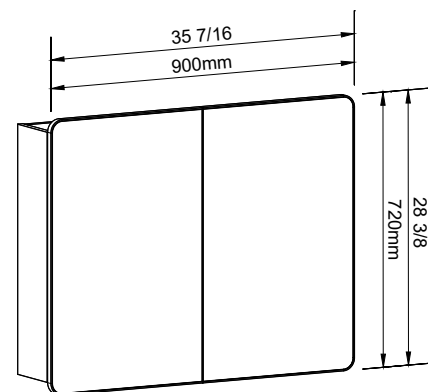


SKU	MSRP
BON-M-24-24	\$820

Mirrored Cabinets

SYDNEY

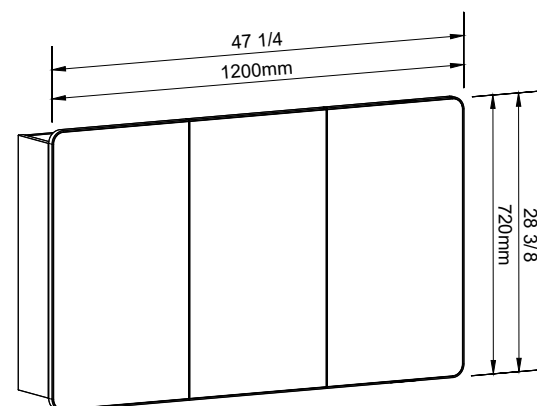
900mm (36")



SKU	CABINET COLOR	MSRP
SYD-MC-36-WH	White Satin	\$3,504
SYD-MC-36-BL	Black Satin	\$3,504

SYDNEY

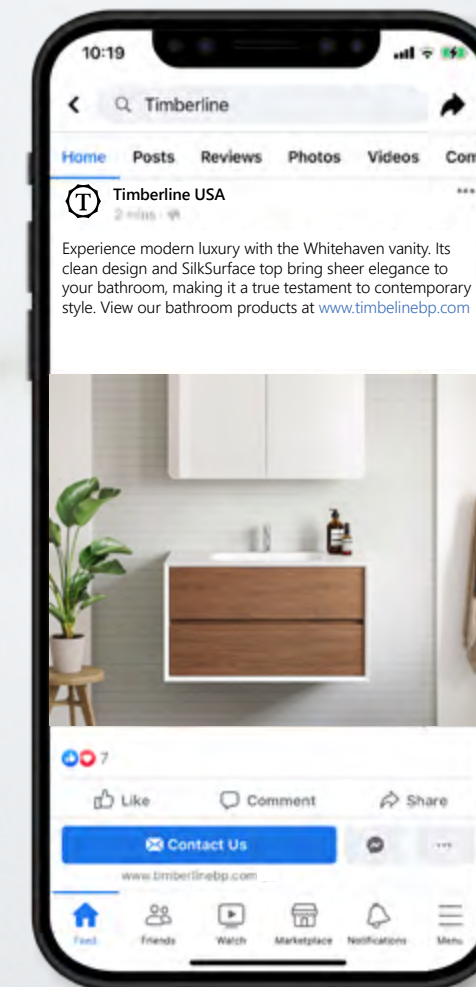
1200mm (48")



SKU	CABINET COLOR	MSRP
SYD-MC-48-WH	White Satin	\$4,324
SYD-MC-48-BL	Black Satin	\$4,324



Keep up with the latest design trends!



Follow us on social media

- facebook.com/timberlineus/
- @timberlineus
- linkedin.com/company/timberline-us/



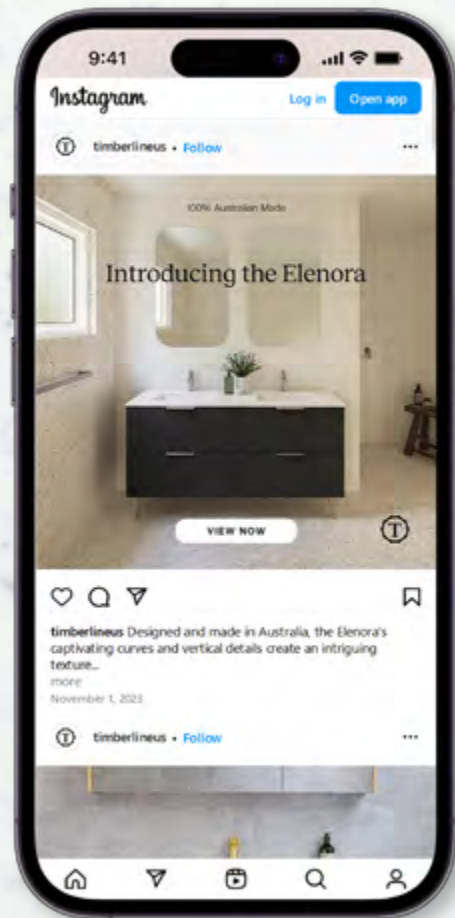
Pricelist

23	Pricelist Guide
24	SKU Guide
26	Cullen
28	Finn
30	Kodiak
32	Linden
35	Maren
37	Tuscany
38	Vera
40	Wells
42	Wall-to-Wall
43	Isla Mirrored Cabinet
43	Juniper Mirrored Cabinet
44	Ridge Mirrored Cabinet
44	Sage Mirrored Cabinet
44	Willow Mirrored Cabinet
45	Floating Shelves
45	Briar Linen Closet
46	Dune Linen Closet
47	Terra Linen Closet
48	Vale Linen Closet
48	Wren Linen Closet
50	Customizing Options
54	Tops and Sinks

The following pricelist contains our suggested retail pricing for each of our standard vanity configurations and accessories as well as components that are available for separate purchase and upgrade options. This allows you to obtain an estimate on your choices. Pricing needs to be confirmed with a local dealer.



Keep up with the latest design trends!



Follow us on social media



facebook.com/timberlineus



@timberlineus



@timberline-us

Pricelist Guide

Here is a quick guide on how to use this pricelist. Still have questions? Give our helpful staff a call at +1 888 844 0102.

Colors

Our pricing structure is based on 2 levels of colors. Each SKU is priced at two levels, **Tier 1** and **Tier 2**.

Tier 1: Woodgrain Laminates

Tier 2: Wood Veneer, Solid Colors, and Painted Colors

Additional Cost Options

Options such as cabinet customizing, filler panels and lighting are shown on page 78-81.

Cabinet or Top Only Orders

Where available, prices are shown for vanity cabinet only. Vanity top only prices are on page 86.

Prices

All prices are Manufacturer's Suggested Retail Price (MSRP). Check with your preferred store for exact pricing in your area.

How our SKUs work

Our SKU's have been designed to contain a lot of information on each cabinet, for more information, go to page 52-53.

No Cost Options

Additional no cost options available are:

- **Left or Right-Hand:** Cabinets may be ordered with left or right-hand configuration. Please specify when ordering.
- **Number of Faucet Holes:** Quartz, Silksurface, and Laminate tops are available with 0, 1, or 3 (widespread, or centerset) faucet holes. Peak and Crest Mineral Composite tops are available with 1 or 3 faucet holes.
- **Colors and Hardware:** Choose any of the colors or handles shown at the back of the brochure based on the pricing tier you choose.
- **Two Tone Cabinets:** Change up the look of your cabinet by choosing different colors for the front and sides of your cabinet.

Freight/Shipping Costs

Shipping costs are per item/SKU and based on your location. Orders with 3 or more items will ship free. Please consult with your showroom or store for specific shipping costs.



Vera Vanity 36" VER-V-36-C-CRE-W-BL-OVI3N-1 | \$2,565. **Juniper Mirrored Cabinet** JUN-MC-36-W-BL | \$1,979. **Vale Linen Closet** VAL-LC-12-W-BL-PTO | \$2,665

NOTE: All prices are Manufacturer's Suggested Retail Price (MSRP). Prices may vary depending on location and are subject to change or correction without notification. All information is provided on a E&OE (errors and omissions excepted) basis. There is a lot of very useful information in this brochure and there is more than likely an error, big or small, somewhere. Images in this brochure are shown with accessories and other furniture not included in the price or supplied by Timberline.

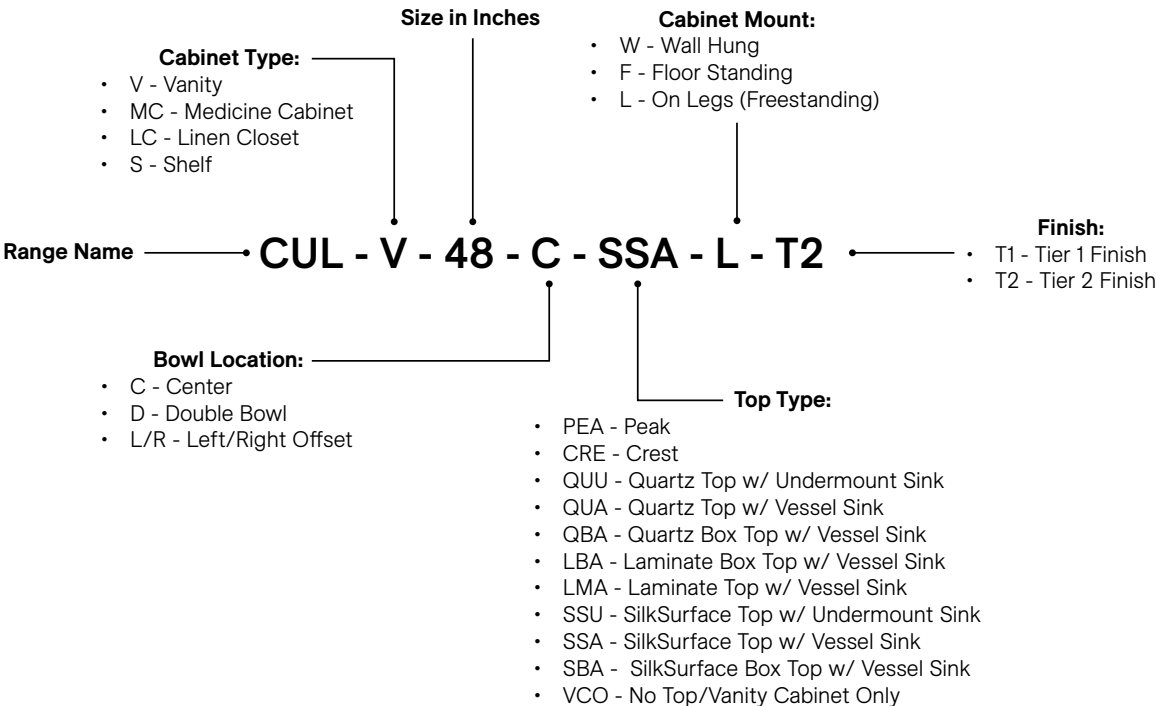
SKUs & How to Order

Here is a quick guide on how to order. There is 2 different ways to order, chose which ever method suits you better. Call us on 888-844-0102 with any questions on building a SKU, or on pricing.

Option 1 - Base SKU with Notes

Over the next pages, we provide SKUs with pricing. These SKUs reflect the cabinet, size, top, mount, and finish level. They do not include specifics such as color and hardware. You can order with these 'base' SKUs and add the rest of the information as a note in the PO.

Base SKU:



Example

To order with this method, Use the SKU in the pricelist page, and add notes to the PO with the following information. Not everything is required/applicable on every order, (e.g. if you are ordering a wall mount vanity, you obviously won't need leg style/color information, etc):

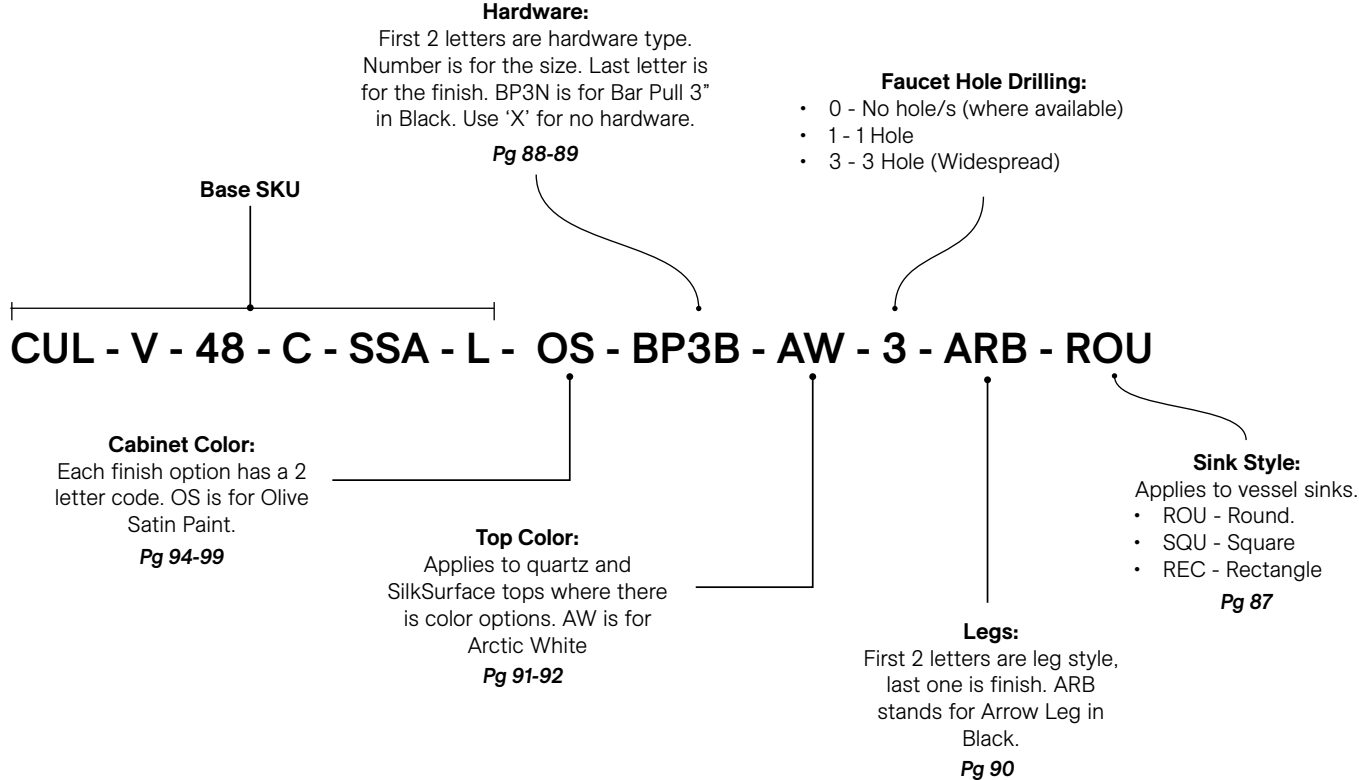
- Cabinet Color
- Top Color
- Hardware Style and Finish
- Faucet Hole Drilling
- Leg Style and Finish
- Sink Style (Vessel sink only)

If you want, you can use the order form on page 101 with this method as a way of getting down all the relevant information.

Option 2 - Fully built out SKUs

This option uses the base SKU, and adds all the information to it so you don't have to add notes to your PO. **Note:** all SKUs shown in this brochure under a product image are built out using this method.

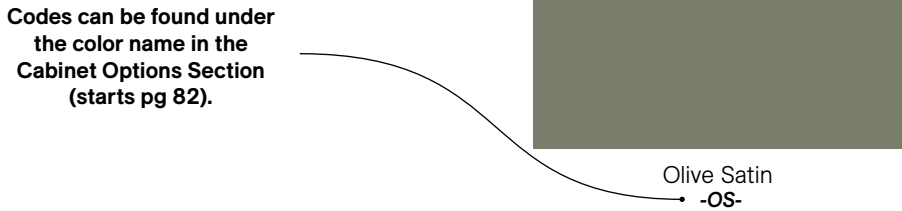
Built out SKU:



Example

To order with this method, Use the SKU in the pricelist page, and add to it, to create one long SKU. All the codes for cabinet colors, hardware, top colors, and legs, can be found in **-bold italics-** under the color name (example below)

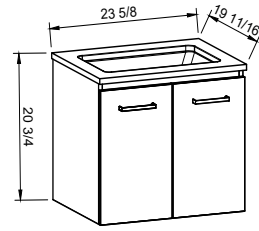
Note: not all additional sections will be necessary for every vanity, leave out any that don't apply. E.g. a wall hung Cullen with a Peak top wouldn't need the legs, sink style, or top color section and would look like CUL-V-48-C-PEA-W-WH-BP3B-3.



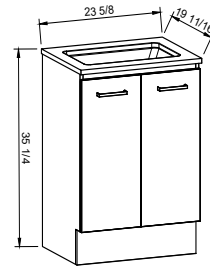
Cullen

CULLEN 600mm/24" SINGLE BOWL

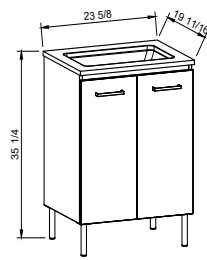
Wall Hung



Floor Standing



On Legs



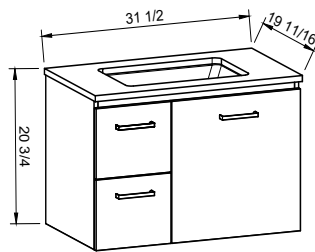
CABINET WITH	SKU	TIER 1 MSRP	TIER 2 MSRP
Peak/Crest Mineral Composite Top	CUL-V-24-C-PEA-W	\$3,127	\$3,370
SilkSurface with Above Counter Sink	CUL-V-24-C-SSA-W	\$4,354	\$4,573
SilkSurface with Undermount Sink	CUL-V-24-C-SSU-W	\$4,406	\$4,625
Quartz with Above Counter Sink	CUL-V-24-C-QUA-W	\$5,394	\$5,637
Quartz with Undermount Sink	CUL-V-24-C-QUU-W	\$5,446	\$5,689
Vanity Cabinet Only	CUL-V-24-C-VCO-W	\$2,640	\$2,883

CABINET WITH	SKU	TIER 1 MSRP	TIER 2 MSRP
Peak/Crest Mineral Composite Top	CUL-V-24-C-PEA-F	\$3,315	\$3,633
SilkSurface with Above Counter Sink	CUL-V-24-C-SSA-F	\$4,542	\$4,836
SilkSurface with Undermount Sink	CUL-V-24-C-SSU-F	\$4,594	\$4,888
Quartz with Above Counter Sink	CUL-V-24-C-QUA-F	\$5,582	\$5,900
Quartz with Undermount Sink	CUL-V-24-C-QUU-F	\$5,634	\$5,952
Vanity Cabinet Only	CUL-V-24-C-VCO-F	\$2,827	\$3,145

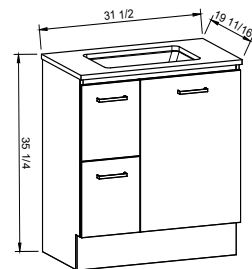
CABINET WITH	SKU	TIER 1 MSRP	TIER 2 MSRP
Peak/Crest Mineral Composite Top	CUL-V-24-C-PEA-L	\$3,315	\$3,633
SilkSurface with Above Counter Sink	CUL-V-24-C-SSA-L	\$4,542	\$4,836
SilkSurface with Undermount Sink	CUL-V-24-C-SSU-L	\$4,594	\$4,888
Quartz with Above Counter Sink	CUL-V-24-C-QUA-L	\$5,582	\$5,900
Quartz with Undermount Sink	CUL-V-24-C-QUU-L	\$5,634	\$5,952
Vanity Cabinet Only	CUL-V-24-C-VCO-L	\$2,827	\$3,145

CULLEN 800mm/32" SINGLE BOWL

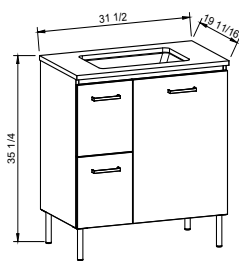
Wall Hung



Floor Standing



On Legs



CABINET WITH	SKU	TIER 1 MSRP	TIER 2 MSRP
Peak/Crest Mineral Composite Top	CUL-V-32-C-PEA-W	\$3,744	\$4,010
SilkSurface with Above Counter Sink	CUL-V-32-C-SSA-W	\$5,288	\$5,522
SilkSurface with Undermount Sink	CUL-V-32-C-SSU-W	\$5,340	\$5,574
Quartz with Above Counter Sink	CUL-V-32-C-QUA-W	\$6,385	\$6,651
Quartz with Undermount Sink	CUL-V-32-C-QUU-W	\$6,437	\$6,703
Vanity Cabinet Only	CUL-V-32-C-VCO-W	\$3,176	\$3,442

CABINET WITH	SKU	TIER 1 MSRP	TIER 2 MSRP
Peak/Crest Mineral Composite Top	CUL-V-32-C-PEA-F	\$4,349	\$4,702
SilkSurface with Above Counter Sink	CUL-V-32-C-SSA-F	\$5,893	\$6,214
SilkSurface with Undermount Sink	CUL-V-32-C-SSU-F	\$5,945	\$6,266
Quartz with Above Counter Sink	CUL-V-32-C-QUA-F	\$6,990	\$7,342
Quartz with Undermount Sink	CUL-V-32-C-QUU-F	\$7,042	\$7,394
Vanity Cabinet Only	CUL-V-32-C-VCO-F	\$6,990	\$7,342

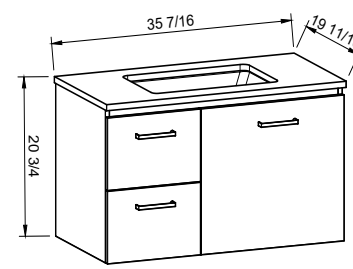
CABINET WITH	SKU	TIER 1 MSRP	TIER 2 MSRP
Peak/Crest Mineral Composite Top	CUL-V-32-C-PEA-L	\$4,349	\$4,702
SilkSurface with Above Counter Sink	CUL-V-32-C-SSA-L	\$5,893	\$6,214
SilkSurface with Undermount Sink	CUL-V-32-C-SSU-L	\$5,945	\$6,266
Quartz with Above Counter Sink	CUL-V-32-C-QUA-L	\$6,990	\$7,342
Quartz with Undermount Sink	CUL-V-32-C-QUU-L	\$7,042	\$7,394
Vanity Cabinet Only	CUL-V-32-C-VCO-L	\$6,990	\$7,342

NOTE: For Crest Mineral Composite tops, depth is shallower (18 1/8"). See page 86 for detailed top sizes.

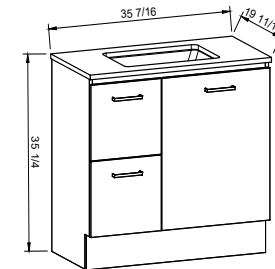
Cullen

CULLEN 900mm/36" SINGLE BOWL

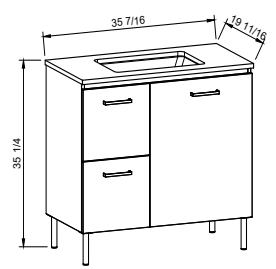
Wall Hung



Floor Standing



On Legs



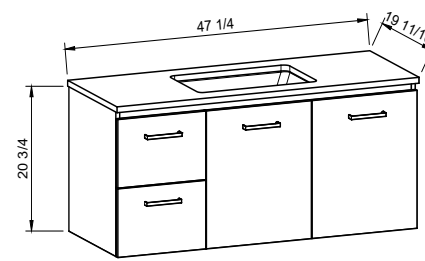
CABINET WITH	SKU	TIER 1 MSRP	TIER 2 MSRP
Peak/Crest Mineral Composite Top	CUL-V-36-C-PEA-W	\$3,922	\$4,200
SilkSurface with Above Counter Sink	CUL-V-36-C-SSA-W	\$5,558	\$5,800
SilkSurface with Undermount Sink	CUL-V-36-C-SSU-W	\$5,610	\$5,852
Quartz with Above Counter Sink	CUL-V-36-C-QUA-W	\$6,662	\$6,940
Quartz with Undermount Sink	CUL-V-36-C-QUU-W	\$6,714	\$6,992
Vanity Cabinet Only	CUL-V-36-C-VCO-W	\$3,247	\$3,525

CABINET WITH	SKU	TIER 1 MSRP	TIER 2 MSRP
Peak/Crest Mineral Composite Top	CUL-V-36-C-PEA-F	\$4,558	\$4,928
SilkSurface with Above Counter Sink	CUL-V-36-C-SSA-F	\$6,194	\$6,528
SilkSurface with Undermount Sink	CUL-V-36-C-SSU-F	\$6,246	\$6,580
Quartz with Above Counter Sink	CUL-V-36-C-QUA-F	\$7,298	\$7,668
Quartz with Undermount Sink	CUL-V-36-C-QUU-F	\$7,350	\$7,720
Vanity Cabinet Only	CUL-V-36-C-VCO-F	\$3,883	\$4,253

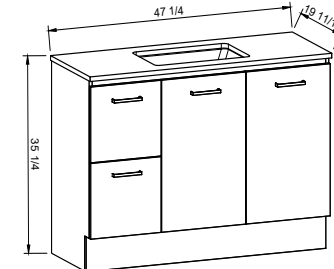
CABINET WITH	SKU	TIER 1 MSRP	TIER 2 MSRP
Peak/Crest Mineral Composite Top	CUL-V-36-C-PEA-L	\$4,558	\$4,928
SilkSurface with Above Counter Sink	CUL-V-36-C-SSA-L	\$6,194	\$6,528
SilkSurface with Undermount Sink	CUL-V-36-C-SSU-L	\$6,246	\$6,580
Quartz with Above Counter Sink	CUL-V-36-C-QUA-L	\$7,298	\$7,668
Quartz with Undermount Sink	CUL-V-36-C-QUU-L	\$7,350	\$7,720
Vanity Cabinet Only	CUL-V-36-C-VCO-L	\$3,883	\$4,253

CULLEN 1200mm/48" SINGLE BOWL

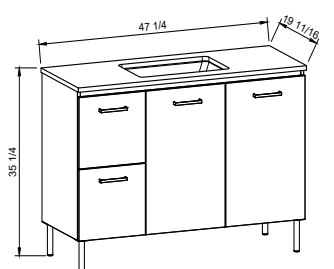
Wall Hung



Floor Standing



On Legs



CABINET WITH	SKU	TIER 1 MSRP	TIER 2 MSRP
Peak/Crest Mineral Composite Top	CUL-V-48-C-PEA-W	\$4,985	\$5,332
SilkSurface with Above Counter Sink	CUL-V-48-C-SSA-W	\$6,685	\$6,983
SilkSurface with Undermount Sink	CUL-V-48-C-SSU-W	\$6,737	\$7,035
Quartz with Above Counter Sink	CUL-V-48-C-QUA-W	\$8,256	\$8,603
Quartz with Undermount Sink	CUL-V-48-C-QUU-W	\$8,308	\$8,655
Vanity Cabinet Only	CUL-V-48-C-VCO-W	\$4,179	\$4,526

CABINET WITH	SKU	TIER 1 MSRP	TIER 2 MSRP
Peak/Crest Mineral Composite Top	CUL-V-48-C-PEA-F	\$5,739	\$6,193
SilkSurface with Above Counter Sink	CUL-V-48-C-SSA-F	\$7,439	\$7,845
SilkSurface with Undermount Sink	CUL-V-48-C-SSU-F	\$7,491	\$7,897
Quartz with Above Counter Sink	CUL-V-48-C-QUA-F	\$9,010	\$9,465
Quartz with Undermount Sink	CUL-V-48-C-QUU-F	\$9,062	\$9,517
Vanity Cabinet Only	CUL-V-48-C-VCO-F	\$4,933	\$5,388

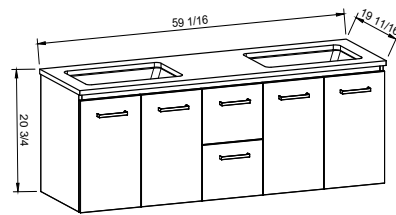
CABINET WITH	SKU	TIER 1 MSRP	TIER 2 MSRP
Peak/Crest Mineral Composite Top	CUL-V-48-C-PEA-L	\$5,739	\$6,193
SilkSurface with Above Counter Sink	CUL-V-48-C-SSA-L	\$7,439	\$7,845
SilkSurface with Undermount Sink	CUL-V-48-C-SSU-L	\$7,491	\$7,897
Quartz with Above Counter Sink	CUL-V-48-C-QUA-L	\$9,010	\$9,465
Quartz with Undermount Sink	CUL-V-48-C-QUU-L	\$9,062	\$9,517
Vanity Cabinet Only	CUL-V-48-C-VCO-L	\$4,933	\$5,388

NOTE: For Crest Mineral Composite tops, depth is shallower (18 1/8"). See page 86 for detailed top sizes.

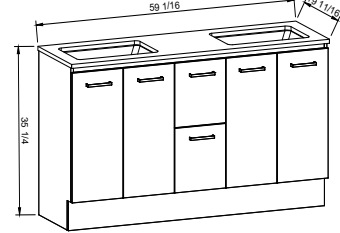
Cullen

CULLEN 1500mm/60" DOUBLE BOWL

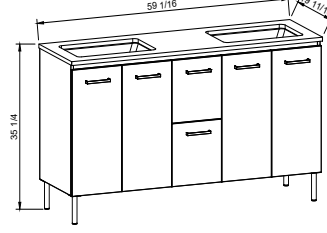
Wall Hung



Floor Standing



On Legs



CABINET WITH	SKU	TIER 1 MSRP	TIER 2 MSRP
Peak/Crest Mineral Composite Top	CUL-V-60-D-PEA-W	\$6,349	\$6,749
SilkSurface with Above Counter Sinks	CUL-V-60-D-SSA-W	\$8,867	\$9,206
SilkSurface with Undermount Sinks	CUL-V-60-D-SSU-W	\$8,971	\$9,310
Quartz with Above Counter Sinks	CUL-V-60-D-QUA-W	\$11,372	\$11,772
Quartz with Undermount Sinks	CUL-V-60-D-QUU-W	\$11,477	\$11,876
Vanity Cabinet Only	CUL-V-60-D-VCO-W	\$5,244	\$5,643

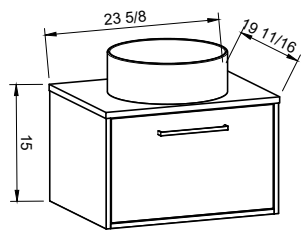
CABINET WITH	SKU	TIER 1 MSRP	TIER 2 MSRP
Peak/Crest Mineral Composite Top	CUL-V-60-D-PEA-F	\$7,421	\$7,930
SilkSurface with Above Counter Sinks	CUL-V-60-D-SSA-F	\$9,939	\$10,388
SilkSurface with Undermount Sinks	CUL-V-60-D-SSU-F	\$10,043	\$10,492
Quartz with Above Counter Sinks	CUL-V-60-D-QUA-F	\$12,444	\$12,954
Quartz with Undermount Sinks	CUL-V-60-D-QUU-F	\$12,548	\$13,058
Vanity Cabinet Only	CUL-V-60-D-VCO-F	\$6,315	\$6,825

CABINET WITH	SKU	TIER 1 MSRP	TIER 2 MSRP
Peak/Crest Mineral Composite Top	CUL-V-60-D-PEA-L	\$7,421	\$7,930
SilkSurface with Above Counter Sinks	CUL-V-60-D-SSA-L	\$9,939	\$10,388
SilkSurface with Undermount Sinks	CUL-V-60-D-SSU-L	\$10,043	\$10,492
Quartz with Above Counter Sinks	CUL-V-60-D-QUA-L	\$12,444	\$12,954
Quartz with Undermount Sinks	CUL-V-60-D-QUU-L	\$12,548	\$13,058
Vanity Cabinet Only	CUL-V-60-D-VCO-L	\$6,315	\$6,825

Finn

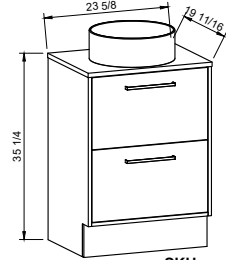
FINN 600mm/24" SINGLE BOWL

Wall Hung



CABINET WITH	SKU	TIER 1 MSRP
16mm Laminate Top With Above Counter Sink	FIN-V-24-C-LMA-W	\$3,217
Vanity Cabinet Only	FIN-V-24-C-VCO-W	\$2,535

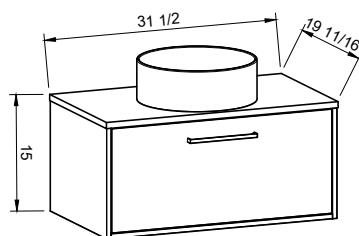
Floor Standing



CABINET WITH	SKU	TIER 1 MSRP
16mm Laminate Top With Above Counter Sink	FIN-V-24-C-LMA-F	\$4,038
Vanity Cabinet Only	FIN-V-24-C-VCO-F	\$2,669

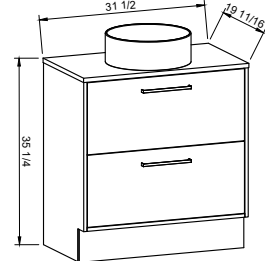
FINN 800mm/32" SINGLE BOWL

Wall Hung



CABINET WITH	SKU	TIER 1 MSRP
16mm Laminate Top With Above Counter Sink	FIN-V-32-C-LMA-W	\$3,635
Vanity Cabinet Only	FIN-V-32-C-VCO-W	\$2,930

Floor Standing



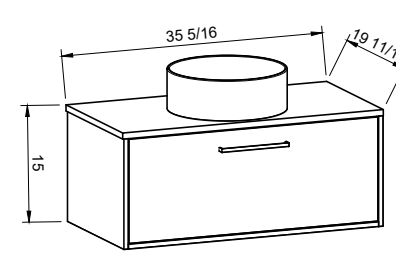
CABINET WITH	SKU	TIER 1 MSRP
16mm Laminate Top With Above Counter Sink	FIN-V-32-C-LMA-F	\$4,365
Vanity Cabinet Only	FIN-V-32-C-VCO-F	\$3,072

NOTE: For Finn - Tops only available in woodgrain laminate finishes. Drawer front/s and cabinet sides may be matching laminate or any other finish.

Finn

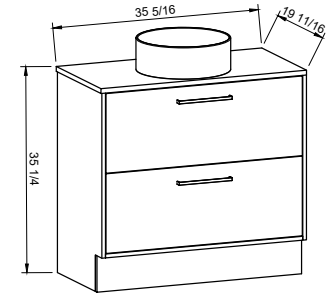
FINN 900mm/36" SINGLE BOWL

Wall Hung



CABINET WITH	SKU	TIER 1 MSRP
16mm Laminate Top With Above Counter Sink	FIN-V-36-C-LMA-W	\$3,713
Vanity Cabinet Only	FIN-V-36-C-VCO-W	\$3,000

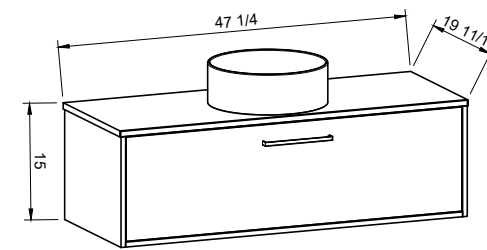
Floor Standing



CABINET WITH	SKU	TIER 1 MSRP
16mm Laminate Top With Above Counter Sink	FIN-V-36-C-LMA-F	\$4,485
Vanity Cabinet Only	FIN-V-36-C-VCO-F	\$3,150

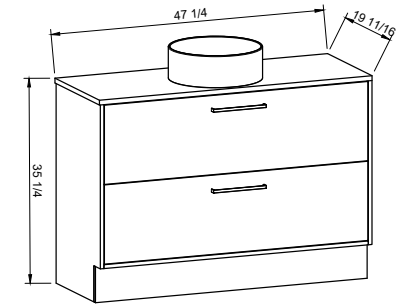
FINN 1200mm/48" SINGLE BOWL

Wall Hung



CABINET WITH	SKU	TIER 1 MSRP
16mm Laminate Top With Above Counter Sink	FIN-V-48-C-LMA-W	\$4,588
Vanity Cabinet Only	FIN-V-48-C-VCO-W	\$3,860

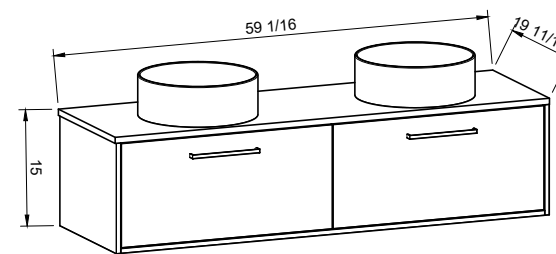
Floor Standing



CABINET WITH	SKU	TIER 1 MSRP
16mm Laminate Top With Above Counter Sink	FIN-V-48-C-LMA-F	\$5,420
Vanity Cabinet Only	FIN-V-48-C-VCO-F	\$4,060

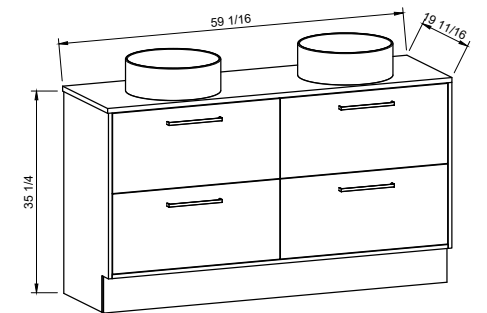
FINN 1500mm/60" DOUBLE BOWL

Wall Hung



CABINET WITH	SKU	TIER 1 MSRP
16mm Laminate Top With Above Counter Sinks	FIN-V-60-D-LMA-W	\$5,444
Vanity Cabinet Only	FIN-V-60-D-VCO-W	\$4,159

Floor Standing



CABINET WITH	SKU	TIER 1 MSRP
16mm Laminate Top With Above Counter Sinks	FIN-V-60-D-LMA-F	\$7,222
Vanity Cabinet Only	FIN-V-60-D-VCO-F	\$4,376

NOTE: For Finn - Tops only available in woodgrain laminate finishes. Drawer front/s and cabinet sides may be matching laminate or any other finish.

Kodiak

KODIAK 600mm/24" SINGLE BOWL

Wall Hung			Floor Standing			On Legs		
CABINET WITH	SKU	TIER 2 MSRP	CABINET WITH	SKU	TIER 2 MSRP	CABINET WITH	SKU	TIER 2 MSRP
Peak/Crest Mineral Composite Top	KOD-V-24-C-PEA-W	\$3,261	Peak/Crest Mineral Composite Top	KOD-V-24-C-PEA-F	\$3,449	Peak/Crest Mineral Composite Top	KOD-V-24-C-PEA-L	\$3,449
SilkSurface with Above Counter Sink	KOD-V-24-C-SSA-W	\$4,464	SilkSurface with Above Counter Sink	KOD-V-24-C-SSA-F	\$4,652	SilkSurface with Above Counter Sink	KOD-V-24-C-SSA-L	\$4,652
SilkSurface with Undermount Sink	KOD-V-24-C-SSU-W	\$4,516	SilkSurface with Undermount Sink	KOD-V-24-C-SSU-F	\$4,704	SilkSurface with Undermount Sink	KOD-V-24-C-SSU-L	\$4,704
Quartz with Above Counter Sink	KOD-V-24-C-QUA-W	\$5,528	Quartz with Above Counter Sink	KOD-V-24-C-QUA-F	\$5,716	Quartz with Above Counter Sink	KOD-V-24-C-QUA-L	\$5,716
Quartz with Undermount Sink	KOD-V-24-C-QUU-W	\$5,580	Quartz with Undermount Sink	KOD-V-24-C-QUU-F	\$5,768	Quartz with Undermount Sink	KOD-V-24-C-QUU-L	\$5,768
Vanity Cabinet Only	KOD-V-24-C-VCO-W	\$2,774	Vanity Cabinet Only	KOD-V-24-C-VCO-F	\$2,961	Vanity Cabinet Only	KOD-V-24-C-VCO-L	\$2,961

KODIAK 800mm/32" SINGLE BOWL

Wall Hung			Floor Standing			On Legs		
CABINET WITH	SKU	TIER 2 MSRP	CABINET WITH	SKU	TIER 2 MSRP	CABINET WITH	SKU	TIER 2 MSRP
Peak/Crest Mineral Composite Top	KOD-V-32-C-PEA-W	\$3,887	Peak/Crest Mineral Composite Top	KOD-V-32-C-PEA-F	\$4,491	Peak/Crest Mineral Composite Top	KOD-V-32-C-PEA-L	\$4,491
SilkSurface with Above Counter Sink	KOD-V-32-C-SSA-W	\$5,399	SilkSurface with Above Counter Sink	KOD-V-32-C-SSA-F	\$6,003	SilkSurface with Above Counter Sink	KOD-V-32-C-SSA-L	\$6,003
SilkSurface with Undermount Sink	KOD-V-32-C-SSU-W	\$5,451	SilkSurface with Undermount Sink	KOD-V-32-C-SSU-F	\$6,056	SilkSurface with Undermount Sink	KOD-V-32-C-SSU-L	\$6,056
Quartz with Above Counter Sink	KOD-V-32-C-QUA-W	\$6,528	Quartz with Above Counter Sink	KOD-V-32-C-QUA-F	\$7,132	Quartz with Above Counter Sink	KOD-V-32-C-QUA-L	\$7,132
Quartz with Undermount Sink	KOD-V-32-C-QUU-W	\$6,580	Quartz with Undermount Sink	KOD-V-32-C-QUU-F	\$7,184	Quartz with Undermount Sink	KOD-V-32-C-QUU-L	\$7,184
Vanity Cabinet Only	KOD-V-32-C-VCO-W	\$3,318	Vanity Cabinet Only	KOD-V-32-C-VCO-F	\$3,923	Vanity Cabinet Only	KOD-V-32-C-VCO-L	\$3,923

NOTE: For Crest Mineral Composite tops, depth is shallower (18 1/8"). See page 86 for detailed top sizes.

Kodiak

KODIAK 900mm/36" SINGLE BOWL

Wall Hung			Floor Standing			On Legs		
CABINET WITH	SKU	TIER 2 MSRP	CABINET WITH	SKU	TIER 2 MSRP	CABINET WITH	SKU	TIER 2 MSRP
Peak/Crest Mineral Composite Top	KOD-V-36-C-PEA-W	\$4,069	Peak/Crest Mineral Composite Top	KOD-V-36-C-PEA-F	\$4,704	Peak/Crest Mineral Composite Top	KOD-V-36-C-PEA-L	\$4,704
SilkSurface with Above Counter Sink	KOD-V-36-C-SSA-W	\$5,669	SilkSurface with Above Counter Sink	KOD-V-36-C-SSA-F	\$6,305	SilkSurface with Above Counter Sink	KOD-V-36-C-SSA-L	\$6,305
SilkSurface with Undermount Sink	KOD-V-36-C-SSU-W	\$5,721	SilkSurface with Undermount Sink	KOD-V-36-C-SSU-F	\$6,357	SilkSurface with Undermount Sink	KOD-V-36-C-SSU-L	\$6,357
Quartz with Above Counter Sink	KOD-V-36-C-QUA-W	\$6,809	Quartz with Above Counter Sink	KOD-V-36-C-QUA-F	\$7,445	Quartz with Above Counter Sink	KOD-V-36-C-QUA-L	\$7,445
Quartz with Undermount Sink	KOD-V-36-C-QUU-W	\$6,861	Quartz with Undermount Sink	KOD-V-36-C-QUU-F	\$7,497	Quartz with Undermount Sink	KOD-V-36-C-QUU-L	\$7,497
Vanity Cabinet Only	KOD-V-36-C-VCO-W	\$3,394	Vanity Cabinet Only	KOD-V-36-C-VCO-F	\$4,029	Vanity Cabinet Only	KOD-V-36-C-VCO-L	\$4,029

KODIAK 1200mm/48" SINGLE BOWL

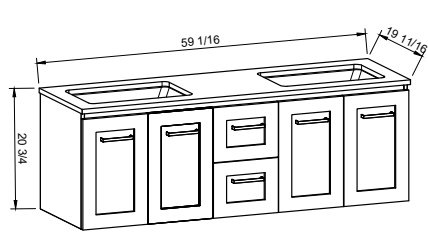
Wall Hung			Floor Standing			On Legs		
CABINET WITH	SKU	TIER 2 MSRP	CABINET WITH	SKU	TIER 2 MSRP	CABINET WITH	SKU	TIER 2 MSRP
Peak/Crest Mineral Composite Top	KOD-V-48-C-PEA-W	\$5,175	Peak/Crest Mineral Composite Top	KOD-V-48-C-PEA-F	\$5,930	Peak/Crest Mineral Composite Top	KOD-V-48-C-PEA-L	\$5,930
SilkSurface with Above Counter Sink	KOD-V-48-C-SSA-W	\$6,827	SilkSurface with Above Counter Sink	KOD-V-48-C-SSA-F	\$7,581	SilkSurface with Above Counter Sink	KOD-V-48-C-SSA-L	\$7,581
SilkSurface with Undermount Sink	KOD-V-48-C-SSU-W	\$6,879	SilkSurface with Undermount Sink	KOD-V-48-C-SSU-F	\$7,633	SilkSurface with Undermount Sink	KOD-V-48-C-SSU-L	\$7,633
Quartz with Above Counter Sink	KOD-V-48-C-QUA-W	\$8,447	Quartz with Above Counter Sink	KOD-V-48-C-QUA-F	\$9,201	Quartz with Above Counter Sink	KOD-V-48-C-QUA-L	\$9,201
Quartz with Undermount Sink	KOD-V-48-C-QUU-W	\$8,499	Quartz with Undermount Sink	KOD-V-48-C-QUU-F	\$9,253	Quartz with Undermount Sink	KOD-V-48-C-QUU-L	\$9,253
Vanity Cabinet Only	KOD-V-48-C-VCO-W	\$4,370	Vanity Cabinet Only	KOD-V-48-C-VCO-F	\$5,124	Vanity Cabinet Only	KOD-V-48-C-VCO-L	\$5,124

NOTE: For Crest Mineral Composite tops, depth is shallower (18 1/8"). See page 86 for detailed top sizes.

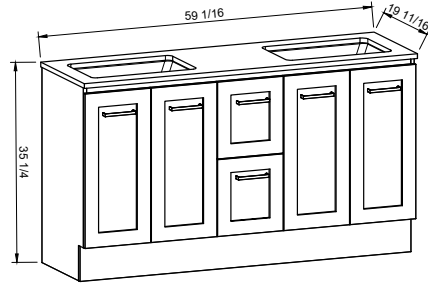
Kodiak

KODIAK 1500mm/60" DOUBLE BOWL

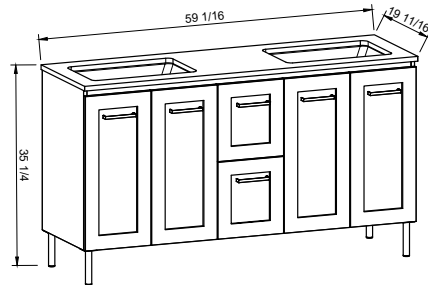
Wall Hung



Floor Standing



On Legs



CABINET WITH	SKU	TIER 2 MSRP
Peak/Crest Mineral Composite Top	KOD-V-60-D-PEA-W	\$6,577
SilkSurface with Above Counter Sinks	KOD-V-60-D-SSA-W	\$9,034
SilkSurface with Undermount Sinks	KOD-V-60-D-SSU-W	\$9,138
Quartz with Above Counter Sinks	KOD-V-60-D-QUA-W	\$11,600
Quartz with Undermount Sinks	KOD-V-60-D-QUU-W	\$11,704
Vanity Cabinet Only	KOD-V-60-D-VCO-W	\$5,471

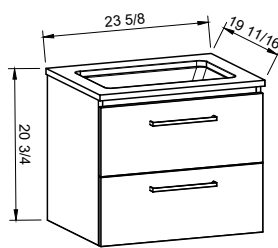
CABINET WITH	SKU	TIER 2 MSRP
Peak/Crest Mineral Composite Top	KOD-V-60-D-PEA-F	\$7,649
SilkSurface with Above Counter Sinks	KOD-V-60-D-SSA-F	\$10,106
SilkSurface with Undermount Sinks	KOD-V-60-D-SSU-F	\$10,210
Quartz with Above Counter Sinks	KOD-V-60-D-QUA-F	\$12,672
Quartz with Undermount Sinks	KOD-V-60-D-QUU-F	\$12,776
Vanity Cabinet Only	KOD-V-60-D-VCO-F	\$6,543

CABINET WITH	SKU	TIER 2 MSRP
Peak/Crest Mineral Composite Top	KOD-V-60-D-PEA-L	\$7,649
SilkSurface with Above Counter Sinks	KOD-V-60-D-SSA-L	\$10,106
SilkSurface with Undermount Sinks	KOD-V-60-D-SSU-L	\$10,210
Quartz with Above Counter Sinks	KOD-V-60-D-QUA-L	\$12,672
Quartz with Undermount Sinks	KOD-V-60-D-QUU-L	\$12,776
Vanity Cabinet Only	KOD-V-60-D-VCO-L	\$6,543

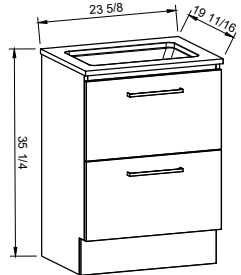
Linden

LINDEN 600mm/24" SINGLE BOWL

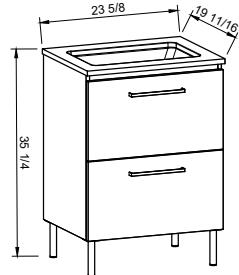
Wall Hung



Floor Standing



On Legs



CABINET WITH	SKU	TIER 1 MSRP	TIER 2 MSRP
Peak/Crest Mineral Composite Top	LIN-V-24-C-PEA-W	\$3,449	\$3,692
SilkSurface with Above Counter Sink	LIN-V-24-C-SSA-W	\$4,676	\$4,895
SilkSurface with Undermount Sink	LIN-V-24-C-SSU-W	\$4,728	\$4,947
Quartz with Above Counter Sink	LIN-V-24-C-QUA-W	\$5,716	\$5,959
Quartz with Undermount Sink	LIN-V-24-C-QUU-W	\$5,768	\$6,011
Vanity Cabinet Only	LIN-V-24-C-VCO-L	\$3,429	\$3,750

CABINET WITH	SKU	TIER 1 MSRP	TIER 2 MSRP
Peak/Crest Mineral Composite Top	LIN-V-24-C-PEA-F	\$3,917	\$4,237
SilkSurface with Above Counter Sink	LIN-V-24-C-SSA-F	\$5,143	\$5,440
SilkSurface with Undermount Sink	LIN-V-24-C-SSU-F	\$5,195	\$5,492
Quartz with Above Counter Sink	LIN-V-24-C-QUA-F	\$6,183	\$6,504
Quartz with Undermount Sink	LIN-V-24-C-QUU-F	\$6,235	\$6,556
Vanity Cabinet Only	LIN-V-24-C-VCO-F	\$3,429	\$3,750

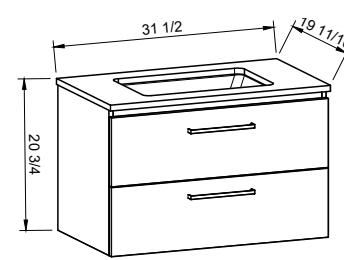
CABINET WITH	SKU	TIER 1 MSRP	TIER 2 MSRP
Peak/Crest Mineral Composite Top	LIN-V-24-C-PEA-L	\$3,917	\$4,237
SilkSurface with Above Counter Sink	LIN-V-24-C-SSA-L	\$5,143	\$5,440
SilkSurface with Undermount Sink	LIN-V-24-C-SSU-L	\$5,195	\$5,492
Quartz with Above Counter Sink	LIN-V-24-C-QUA-L	\$6,183	\$6,504
Quartz with Undermount Sink	LIN-V-24-C-QUU-L	\$6,235	\$6,556
Vanity Cabinet Only	LIN-V-24-C-VCO-L	\$3,429	\$3,750

NOTE: For Crest Mineral Composite tops, depth is shallower (18 1/8"). See page 86 for detailed top sizes.

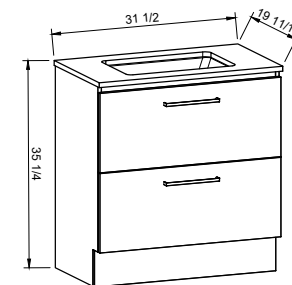
Linden

LINDEN 800mm/32" SINGLE BOWL

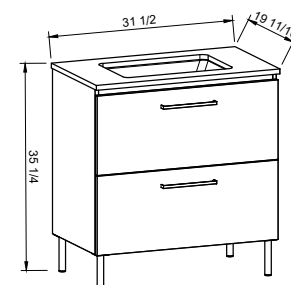
Wall Hung



Floor Standing



On Legs



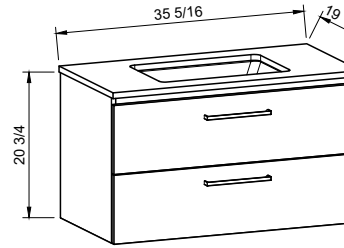
CABINET WITH	SKU	TIER 1 MSRP	TIER 2 MSRP
Peak/Crest Mineral Composite Top	LIN-V-32-C-PEA-W	\$3,726	\$3,992
SilkSurface with Above Counter Sink	LIN-V-32-C-SSA-W	\$5,270	\$5,504
SilkSurface with Undermount Sink	LIN-V-32-C-SSU-W	\$5,322	\$5,556
Quartz with Above Counter Sink	LIN-V-32-C-QUA-W	\$6,366	\$6,632
Quartz with Undermount Sink	LIN-V-32-C-QUU-W	\$6,418	\$6,685
Vanity Cabinet Only	LIN-V-32-C-VCO-L	\$3,704	\$4,057

CABINET WITH	SKU	TIER 1 MSRP	TIER 2 MSRP
Peak/Crest Mineral Composite Top	LIN-V-32-C-PEA-F	\$4,272	\$4,626
SilkSurface with Above Counter Sink	LIN-V-32-C-SSA-F	\$5,816	\$6,138
SilkSurface with Undermount Sink	LIN-V-32-C-SSU-F	\$5,868	\$6,190
Quartz with Above Counter Sink	LIN-V-32-C-QUA-F	\$6,913	\$7,267
Quartz with Undermount Sink	LIN-V-32-C-QUU-F	\$6,965	\$7,319
Vanity Cabinet Only	LIN-V-32-C-VCO-F	\$3,704	\$4,057

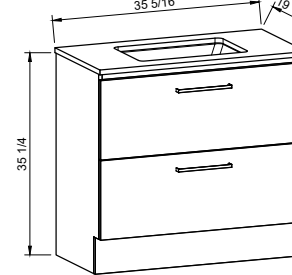
CABINET WITH	SKU	TIER 1 MSRP	TIER 2 MSRP
Peak/Crest Mineral Composite Top	LIN-V-32-C-PEA-L	\$4,272	\$4,626
SilkSurface with Above Counter Sink	LIN-V-32-C-SSA-L	\$5,816	\$6,138
SilkSurface with Undermount Sink	LIN-V-32-C-SSU-L	\$5,868	\$6,190
Quartz with Above Counter Sink	LIN-V-32-C-QUA-L	\$6,913	\$7,267
Quartz with Undermount Sink	LIN-V-32-C-QUU-L	\$6,965	\$7,319
Vanity Cabinet Only	LIN-V-32-C-VCO-L	\$3,704	\$4,057

LINDEN 900mm/36" SINGLE BOWL

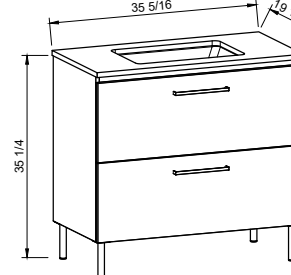
Wall Hung



Floor Standing



On Legs



CABINET WITH	SKU	TIER 1 MSRP	TIER 2 MSRP
Peak/Crest Mineral Composite Top	LIN-V-36-C-PEA-W	\$3,930	\$4,208
SilkSurface with Above Counter Sink	LIN-V-36-C-SSA-W	\$5,566	\$5,808
SilkSurface with Undermount Sink	LIN-V-36-C-SSU-W	\$5,618	\$5,860
Quartz with Above Counter Sink	LIN-V-36-C-QUA-W	\$6,670	\$6,948
Quartz with Undermount Sink	LIN-V-36-C-QUU-W	\$6,722	\$7,000
Vanity Cabinet Only	LIN-V-36-C-VCO-L	\$3,806	\$4,176

CABINET WITH	SKU	TIER 1 MSRP	TIER 2 MSRP
Peak/Crest Mineral Composite Top	LIN-V-36-C-PEA-F	\$4,481	\$4,851
SilkSurface with Above Counter Sink	LIN-V-36-C-SSA-F	\$6,117	\$6,451
SilkSurface with Undermount Sink	LIN-V-36-C-SSU-F	\$6,169	\$6,503
Quartz with Above Counter Sink	LIN-V-36-C-QUA-F	\$7,221	\$7,591
Quartz with Undermount Sink	LIN-V-36-C-QUU-F	\$7,273	\$7,643
Vanity Cabinet Only	LIN-V-36-C-VCO-F	\$3,806	\$4,176

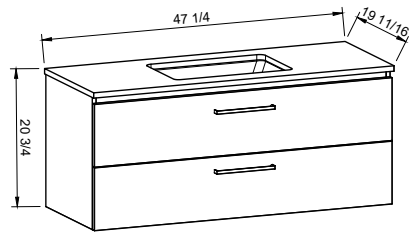
CABINET WITH	SKU	TIER 1 MSRP	TIER 2 MSRP
Peak/Crest Mineral Composite Top	LIN-V-36-C-PEA-L	\$4,481	\$4,851
SilkSurface with Above Counter Sink	LIN-V-36-C-SSA-L	\$6,117	\$6,451
SilkSurface with Undermount Sink	LIN-V-36-C-SSU-L	\$6,169	\$6,503
Quartz with Above Counter Sink	LIN-V-36-C-QUA-L	\$7,221	\$7,591
Quartz with Undermount Sink	LIN-V-36-C-QUU-L	\$7,273	\$7,643
Vanity Cabinet Only	LIN-V-36-C-VCO-L	\$3,806	\$4,176

NOTE: For Crest Mineral Composite tops, depth is shallower (18 1/8"). See page 86 for detailed top sizes.

Linden

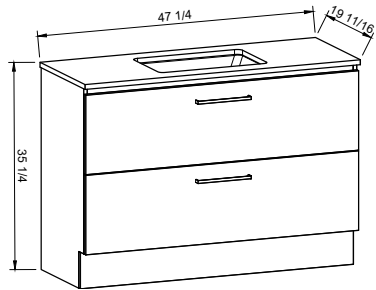
LINDEN 1200mm/48" SINGLE BOWL

Wall Hung



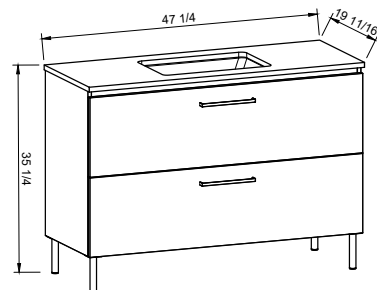
CABINET WITH	SKU	TIER 1 MSRP	TIER 2 MSRP
Peak/Crest Mineral Composite Top	LIN-V-48-C-PEA-W	\$4,883	\$5,230
SilkSurface with Above Counter Sink	LIN-V-48-C-SSA-W	\$6,583	\$6,881
SilkSurface with Undermount Sink	LIN-V-48-C-SSU-W	\$6,635	\$6,933
Quartz with Above Counter Sink	LIN-V-48-C-QUA-W	\$8,154	\$8,501
Quartz with Undermount Sink	LIN-V-48-C-QUU-W	\$8,206	\$8,553
Vanity Cabinet Only	LIN-V-48-C-VCO-W	\$4,077	\$4,424

Floor Standing



CABINET WITH	SKU	TIER 1 MSRP	TIER 2 MSRP
Peak/Crest Mineral Composite Top	LIN-V-48-C-PEA-F	\$5,524	\$5,979
SilkSurface with Above Counter Sink	LIN-V-48-C-SSA-F	\$7,224	\$7,630
SilkSurface with Undermount Sink	LIN-V-48-C-SSU-F	\$7,276	\$7,682
Quartz with Above Counter Sink	LIN-V-48-C-QUA-F	\$8,795	\$9,250
Quartz with Undermount Sink	LIN-V-48-C-QUU-F	\$8,847	\$9,302
Vanity Cabinet Only	LIN-V-48-C-VCO-F	\$4,718	\$5,173

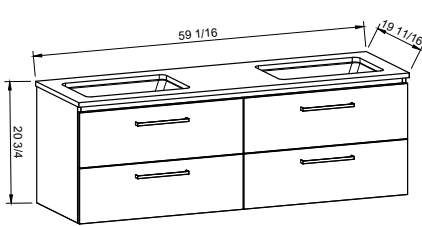
On Legs



CABINET WITH	SKU	TIER 1 MSRP	TIER 2 MSRP
Peak/Crest Mineral Composite Top	LIN-V-48-C-PEA-L	\$5,524	\$5,979
SilkSurface with Above Counter Sink	LIN-V-48-C-SSA-L	\$7,224	\$7,630
SilkSurface with Undermount Sink	LIN-V-48-C-SSU-L	\$7,276	\$7,682
Quartz with Above Counter Sink	LIN-V-48-C-QUA-L	\$8,795	\$9,250
Quartz with Undermount Sink	LIN-V-48-C-QUU-L	\$8,847	\$9,302
Vanity Cabinet Only	LIN-V-48-C-VCO-L	\$4,718	\$5,173

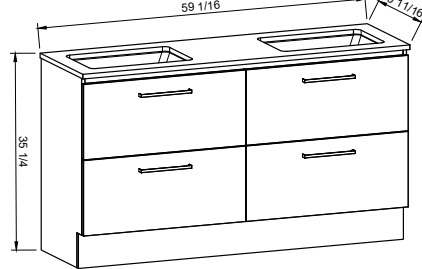
LINDEN 1500mm/60" DOUBLE BOWL

Wall Hung



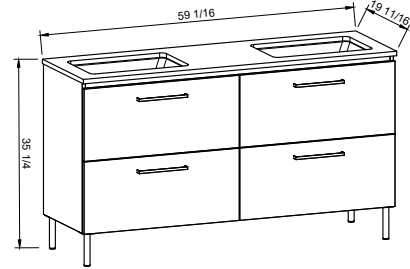
CABINET WITH	SKU	TIER 1 MSRP	TIER 2 MSRP
Peak/Crest Mineral Composite Top	LIN-V-60-D-PEA-W	\$6,259	\$6,661
SilkSurface with Above Counter Sinks	LIN-V-60-D-SSA-W	\$8,776	\$9,118
SilkSurface with Undermount Sinks	LIN-V-60-D-SSU-W	\$8,880	\$9,222
Quartz with Above Counter Sinks	LIN-V-60-D-QUA-W	\$11,282	\$11,684
Quartz with Undermount Sinks	LIN-V-60-D-QUU-W	\$11,386	\$11,788
Vanity Cabinet Only	LIN-V-60-D-VCO-W	\$5,153	\$5,555

Floor Standing



CABINET WITH	SKU	TIER 1 MSRP	TIER 2 MSRP
Peak/Crest Mineral Composite Top	LIN-V-60-D-PEA-F	\$7,063	\$7,588
SilkSurface with Above Counter Sinks	LIN-V-60-D-SSA-F	\$9,581	\$10,045
SilkSurface with Undermount Sinks	LIN-V-60-D-SSU-F	\$9,685	\$10,150
Quartz with Above Counter Sinks	LIN-V-60-D-QUA-F	\$12,086	\$12,611
Quartz with Undermount Sinks	LIN-V-60-D-QUU-F	\$12,190	\$12,715
Vanity Cabinet Only	LIN-V-60-D-VCO-F	\$5,957	\$6,482

On Legs



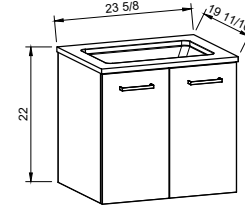
CABINET WITH	SKU	TIER 1 MSRP	TIER 2 MSRP
Peak/Crest Mineral Composite Top	LIN-V-60-D-PEA-L	\$7,063	\$7,588
SilkSurface with Above Counter Sinks	LIN-V-60-D-SSA-L	\$9,581	\$10,045
SilkSurface with Undermount Sinks	LIN-V-60-D-SSU-L	\$9,685	\$10,150
Quartz with Above Counter Sinks	LIN-V-60-D-QUA-L	\$12,086	\$12,611
Quartz with Undermount Sinks	LIN-V-60-D-QUU-L	\$12,190	\$12,715
Vanity Cabinet Only	LIN-V-60-D-VCO-L	\$5,957	\$6,482

NOTE: For Crest Mineral Composite tops, depth is shallower (18 1/8"). See page 86 for detailed top sizes.

Maren

MAREN 600mm/24" SINGLE BOWL

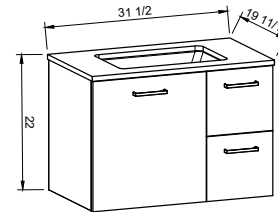
Wall Hung



CABINET WITH	SKU	TIER 1 MSRP	TIER 2 MSRP
Peak/Crest Mineral Composite Top	MAR-V-24-C-PEA-W	\$3,127	\$3,236
SilkSurface with Above Counter Sink	MAR-V-24-C-SSA-W	\$4,354	\$4,573
SilkSurface with Undermount Sink	MAR-V-24-C-SSU-W	\$4,406	\$4,625
Quartz with Above Counter Sink	MAR-V-24-C-QUA-W	\$5,394	\$5,503
Quartz with Undermount Sink	MAR-V-24-C-QUU-W	\$5,446	\$5,555
Vanity Cabinet Only	MAR-V-24-C-VCO-W	\$2,640	\$2,749

MAREN 800mm/32" SINGLE BOWL

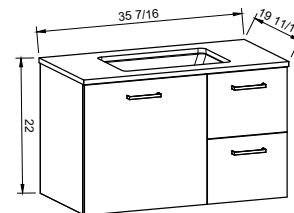
Wall Hung



CABINET WITH	SKU	TIER 1 MSRP	TIER 2 MSRP
Peak/Crest Mineral Composite Top	MAR-V-32-C-PEA-W	\$3,744	\$3,868
SilkSurface with Above Counter Sink	MAR-V-32-C-SSA-W	\$5,288	\$5,522
SilkSurface with Undermount Sink	MAR-V-32-C-SSU-W	\$5,340	\$5,574
Quartz with Above Counter Sink	MAR-V-32-C-QUA-W	\$6,385	\$6,509
Quartz with Undermount Sink	MAR-V-32-C-QUU-W	\$6,437	\$6,561
Vanity Cabinet Only	MAR-V-32-C-VCO-W	\$3,176	\$3,300

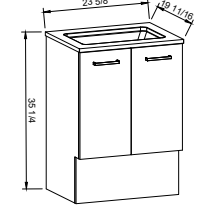
MAREN 900mm/36" SINGLE BOWL

Wall Hung



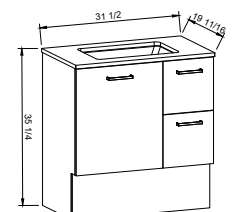
CABINET WITH	SKU	TIER 1 MSRP	TIER 2 MSRP
Peak/Crest Mineral Composite Top	MAR-V-36-C-PEA-W	\$3,922	\$4,053
SilkSurface with Above Counter Sink	MAR-V-36-C-SSA-W	\$5,558	\$5,800
SilkSurface with Undermount Sink	MAR-V-36-C-SSU-W	\$5,610	\$5,852
Quartz with Above Counter Sink	MAR-V-36-C-QUA-W	\$6,662	\$6,793
Quartz with Undermount Sink	MAR-V-36-C-QUU-W	\$6,714	\$6,845
Vanity Cabinet Only	MAR-V-36-C-VCO-W	\$3,247	\$3,378

Floor Standing



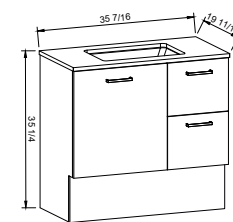
CABINET WITH	SKU	TIER 1 MSRP	TIER 2 MSRP
Peak/Crest Mineral Composite Top	MAR-V-24-C-PEA-F	\$3,315	\$3,499
SilkSurface with Above Counter Sink	MAR-V-24-C-SSA-F	\$4,542	\$4,836
SilkSurface with Undermount Sink	MAR-V-24-C-SSU-F	\$4,594	\$4,888
Quartz with Above Counter Sink	MAR-V-24-C-QUA-F	\$5,582	\$5,766
Quartz with Undermount Sink	MAR-V-24-C-QUU-F	\$5,634	\$5,818
Vanity Cabinet Only	MAR-V-24-C-VCO-F	\$2,827	\$3,011

Floor Standing



CABINET WITH	SKU	TIER 1 MSRP	TIER 2 MSRP
Peak/Crest Mineral Composite Top	MAR-V-32-C-PEA-F	\$4,349	\$4,559
SilkSurface with Above Counter Sink	MAR-V-32-C-SSA-F	\$5,893	\$6,214
SilkSurface with Undermount Sink	MAR-V-32-C-SSU-F	\$5,945	\$6,266
Quartz with Above Counter Sink	MAR-V-32-C-QUA-F	\$6,990	\$7,200
Quartz with Undermount Sink	MAR-V-32-C-QUU-F	\$7,042	\$7,252
Vanity Cabinet Only	MAR-V-32-C-VCO-F	\$3,781	\$3,991

Floor Standing

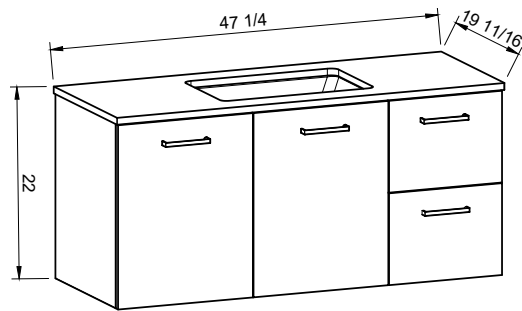


CABINET WITH	SKU	TIER 1 MSRP	TIER 2 MSRP
Peak/Crest Mineral Composite Top	MAR-V-36-C-PEA-F	\$4,558	\$4,782
SilkSurface with Above Counter Sink	MAR-V-36-C-SSA-F	\$6,194	\$6,528
SilkSurface with Undermount Sink	MAR-V-36-C-SSU-F	\$6,246	\$6,580
Quartz with Above Counter Sink	MAR-V-36-C-QUA-F	\$7,298	\$7,522
Quartz with Undermount Sink	MAR-V-36-C-QUU-F	\$7,350	\$7,574
Vanity Cabinet Only	MAR-V-36-C-VCO-F	\$3,883	\$4,107

Maren

MAREN 1200mm/48" SINGLE BOWL

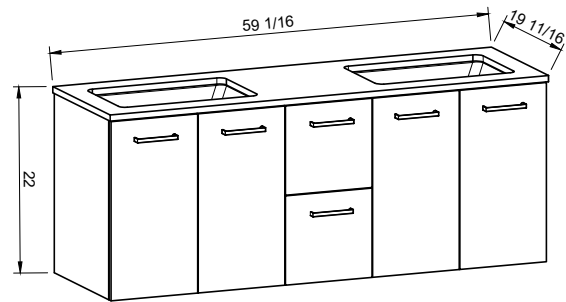
Wall Hung



CABINET WITH	SKU	TIER 1 MSRP	TIER 2 MSRP
Peak/Crest Mineral Composite Top	MAR-V-48-C-PEA-W	\$4,985	\$5,141
SilkSurface with Above Counter Sink	MAR-V-48-C-SSA-W	\$6,685	\$6,983
SilkSurface with Undermount Sink	MAR-V-48-C-SSU-W	\$6,737	\$7,035
Quartz with Above Counter Sink	MAR-V-48-C-QUA-W	\$8,256	\$8,412
Quartz with Undermount Sink	MAR-V-48-C-QUU-W	\$8,308	\$8,464
Vanity Cabinet Only	MAR-V-48-C-VCO-W	\$4,179	\$4,335

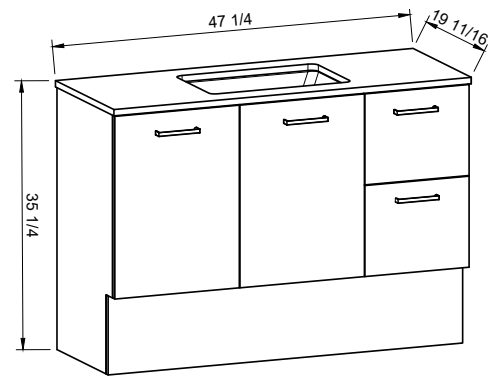
MAREN 1500mm/60" DOUBLE BOWL

Wall Hung



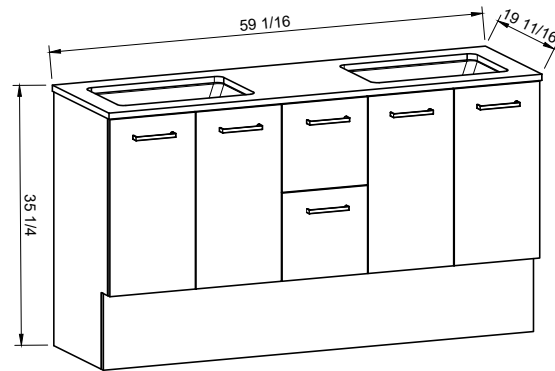
CABINET WITH	SKU	TIER 1 MSRP	TIER 2 MSRP
Peak/Crest Mineral Composite Top	MAR-V-60-D-PEA-W	\$6,349	\$6,521
SilkSurface with Above Counter Sinks	MAR-V-60-D-SSA-W	\$8,867	\$9,206
SilkSurface with Undermount Sinks	MAR-V-60-D-SSU-W	\$8,971	\$9,310
Quartz with Above Counter Sinks	MAR-V-60-D-QUA-W	\$11,372	\$11,544
Quartz with Undermount Sinks	MAR-V-60-D-QUU-W	\$11,477	\$11,648
Vanity Cabinet Only	MAR-V-60-D-VCO-W	\$5,244	\$5,415

Floor Standing



CABINET WITH	SKU	TIER 1 MSRP	TIER 2 MSRP
Peak/Crest Mineral Composite Top	MAR-V-48-C-PEA-F	\$5,739	\$6,003
SilkSurface with Above Counter Sink	MAR-V-48-C-SSA-F	\$7,439	\$7,845
SilkSurface with Undermount Sink	MAR-V-48-C-SSU-F	\$7,491	\$7,897
Quartz with Above Counter Sink	MAR-V-48-C-QUA-F	\$9,010	\$9,274
Quartz with Undermount Sink	MAR-V-48-C-QUU-F	\$9,062	\$9,326
Vanity Cabinet Only	MAR-V-48-C-VCO-F	\$4,933	\$5,197

Floor Standing



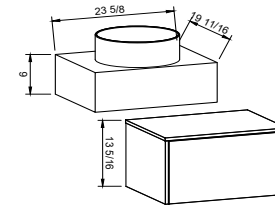
CABINET WITH	SKU	TIER 1 MSRP	TIER 2 MSRP
Peak/Crest Mineral Composite Top	MAR-V-60-D-PEA-F	\$7,421	\$7,703
SilkSurface with Above Counter Sinks	MAR-V-60-D-SSA-F	\$9,939	\$10,388
SilkSurface with Undermount Sinks	MAR-V-60-D-SSU-F	\$10,043	\$10,492
Quartz with Above Counter Sinks	MAR-V-60-D-QUA-F	\$12,444	\$12,726
Quartz with Undermount Sinks	MAR-V-60-D-QUU-F	\$12,548	\$12,830
Vanity Cabinet Only	MAR-V-60-D-VCO-F	\$6,315	\$6,597

NOTE: For Crest Mineral Composite tops, depth is shallower (18 1/8"). See page 86 for detailed top sizes.

Tuscany

TUSCANY 600mm/24" SINGLE BOWL

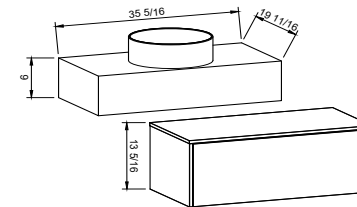
Wall Hung



CABINET WITH	SKU	TIER 1 MSRP
Laminate Box Top w/ Above Counter Sink	TUS-V-24-C-LBA-W	\$6,013
Quartz Box Top w/ Above Counter Sink	TUS-V-24-C-QBA-W	\$7,318
Storage Cabinet Only	TUS-V-24-X-VCO-W	\$2,632

TUSCANY 900mm/36" SINGLE BOWL

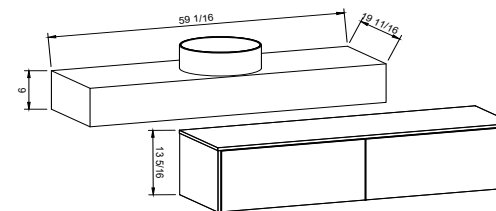
Wall Hung



CABINET WITH	SKU	TIER 1 MSRP
Laminate Box Top w/ Above Counter Sink	TUS-V-36-C-LBA-W	\$7,350
Quartz Box Top w/ Above Counter Sink	TUS-V-36-C-QBA-W	\$8,758
Storage Cabinet Only	TUS-V-36-X-VCO-W	\$3,104

TUSCANY 1500mm/60" SINGLE BOWL

Wall Hung

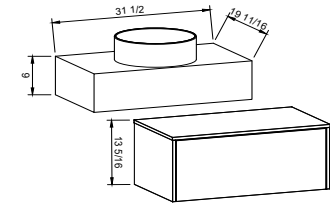


CABINET WITH	SKU	TIER 1 MSRP
Laminate Box Top w/ Above Counter Sink	TUS-V-60-C-LBA-W	\$10,235
Quartz Box Top w/ Above Counter Sink	TUS-V-60-C-QBA-W	\$11,857
Storage Cabinet Only	TUS-V-60-X-VCO-W	\$4,259

NOTE: For Tuscany - Tops only available in quartz and woodgrain laminate finishes. Woodgrain laminate only on storage cabinet top and sides, drawer front may be matching laminate or any other finish. Storage cabinet is Push-to-Open as standard. Handles available on request.

TUSCANY 800mm/32" SINGLE BOWL

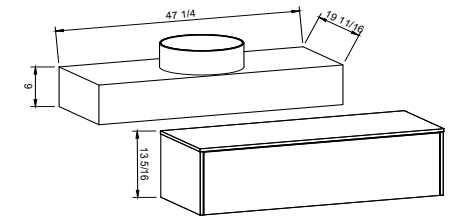
Wall Hung



CABINET WITH	SKU	TIER 1 MSRP
Laminate Box Top w/ Above Counter Sink	TUS-V-32-C-LBA-W	\$6,843
Quartz Box Top w/ Above Counter Sink	TUS-V-32-C-QBA-W	\$8,208
Storage Cabinet Only	TUS-V-32-X-VCO-W	\$3,030

TUSCANY 1200mm/48" SINGLE BOWL

Wall Hung

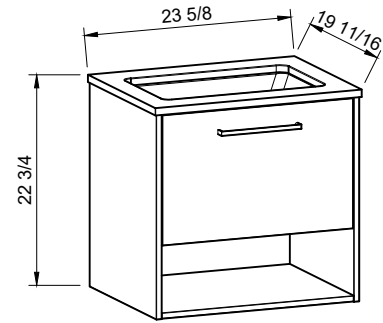


CABINET WITH	SKU	TIER 1 MSRP
Laminate Box Top w/ Above Counter Sink	TUS-V-48-C-LBA-W	\$8,377
Quartz Box Top w/ Above Counter Sink	TUS-V-48-C-QBA-W	\$9,703
Storage Cabinet Only	TUS-V-48-X-VCO-W	\$3,941

Vera

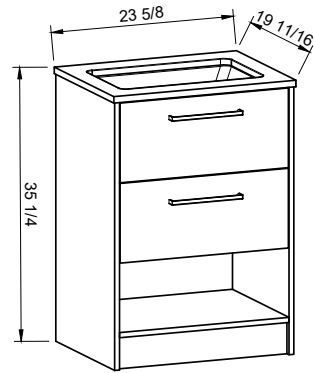
VERA 600mm/24" SINGLE BOWL

Wall Hung



CABINET WITH	SKU	TIER 1 MSRP	TIER 2 MSRP
Peak/Crest Mineral Composite Top	VER-V-24-C-PEA-W	\$3,311	\$3,669
SilkSurface with Above Counter Sink	VER-V-24-C-SSA-W	\$4,538	\$4,872
SilkSurface with Undermount Sink	VER-V-24-C-SSU-W	\$4,590	\$4,924
Quartz with Above Counter Sink	VER-V-24-C-QUA-W	\$5,578	\$5,936
Quartz with Undermount Sink	VER-V-24-C-QUU-W	\$5,630	\$5,988
Vanity Cabinet Only	VER-V-24-C-VCO-W	\$2,823	\$3,181

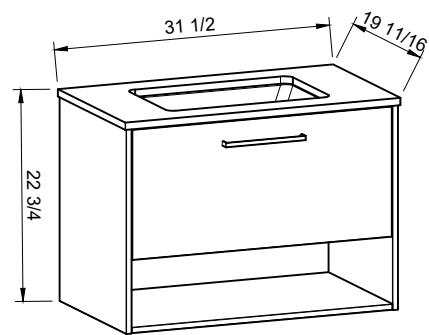
Floor Standing



CABINET WITH	SKU	TIER 1 MSRP	TIER 2 MSRP
Peak/Crest Mineral Composite Top	VER-V-24-C-PEA-F	\$3,499	\$3,868
SilkSurface with Above Counter Sink	VER-V-24-C-SSA-F	\$4,726	\$5,071
SilkSurface with Undermount Sink	VER-V-24-C-SSU-F	\$4,778	\$5,123
Quartz with Above Counter Sink	VER-V-24-C-QUA-F	\$5,766	\$6,135
Quartz with Undermount Sink	VER-V-24-C-QUU-F	\$5,818	\$6,187
Vanity Cabinet Only	VER-V-24-C-VCO-F	\$3,011	\$3,380

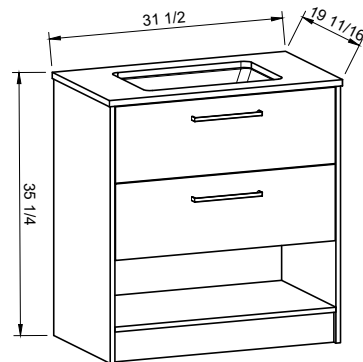
VERA 800mm/32" SINGLE BOWL

Wall Hung



CABINET WITH	SKU	TIER 1 MSRP	TIER 2 MSRP
Peak/Crest Mineral Composite Top	VER-V-32-C-PEA-W	\$5,920	\$3,632
SilkSurface with Above Counter Sink	VER-V-32-C-SSA-W	\$4,823	\$5,144
SilkSurface with Undermount Sink	VER-V-32-C-SSU-W	\$4,876	\$5,196
Quartz with Above Counter Sink	VER-V-32-C-QUA-W	\$5,920	\$6,273
Quartz with Undermount Sink	VER-V-32-C-QUU-W	\$5,972	\$6,325
Vanity Cabinet Only	VER-V-32-C-VCO-W	\$2,711	\$3,064

Floor Standing



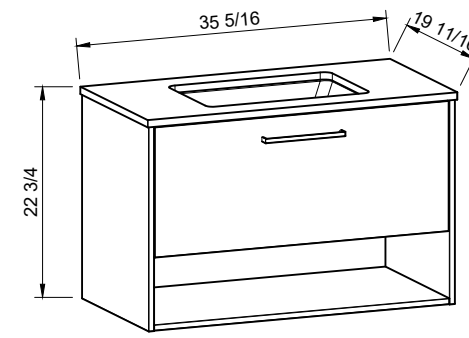
CABINET WITH	SKU	TIER 1 MSRP	TIER 2 MSRP
Peak/Crest Mineral Composite Top	VER-V-32-C-PEA-F	\$3,952	\$4,406
SilkSurface with Above Counter Sink	VER-V-32-C-SSA-F	\$5,496	\$5,919
SilkSurface with Undermount Sink	VER-V-32-C-SSU-F	\$5,548	\$5,971
Quartz with Above Counter Sink	VER-V-32-C-QUA-F	\$6,593	\$7,047
Quartz with Undermount Sink	VER-V-32-C-QUU-F	\$6,645	\$7,099
Vanity Cabinet Only	VER-V-32-C-VCO-F	\$3,384	\$3,838

NOTE: For Crest Mineral Composite tops, depth is shallower (18 1/8"). See page 86 for detailed top sizes.

Vera

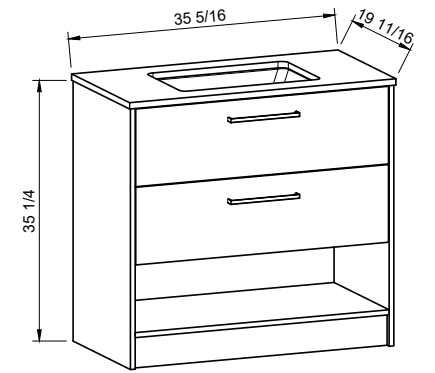
VERA 900mm/36" SINGLE BOWL

Wall Hung



CABINET WITH	SKU	TIER 1 MSRP	TIER 2 MSRP
Peak/Crest Mineral Composite Top	VER-V-36-C-PEA-W	\$3,471	\$3,846
SilkSurface with Above Counter Sink	VER-V-36-C-SSA-W	\$5,107	\$5,446
SilkSurface with Undermount Sink	VER-V-36-C-SSU-W	\$5,159	\$5,498
Quartz with Above Counter Sink	VER-V-36-C-QUA-W	\$6,211	\$6,586
Quartz with Undermount Sink	VER-V-36-C-QUU-W	\$6,263	\$6,638
Vanity Cabinet Only	VER-V-36-C-VCO-W	\$2,796	\$3,171

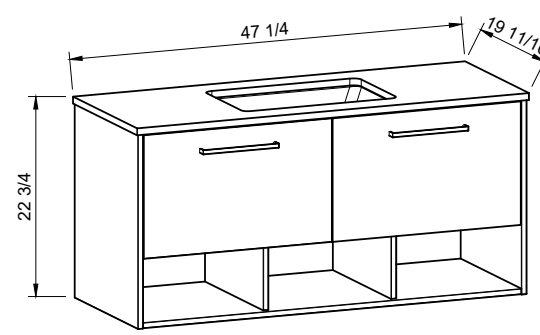
Floor Standing



CABINET WITH	SKU	TIER 1 MSRP	TIER 2 MSRP
Peak/Crest Mineral Composite Top	VER-V-36-C-PEA-F	\$4,188	\$4,672
SilkSurface with Above Counter Sink	VER-V-36-C-SSA-F	\$5,824	\$6,272
SilkSurface with Undermount Sink	VER-V-36-C-SSU-F	\$5,876	\$6,324
Quartz with Above Counter Sink	VER-V-36-C-QUA-F	\$6,928	\$7,412
Quartz with Undermount Sink	VER-V-36-C-QUU-F	\$6,980	\$7,464
Vanity Cabinet Only	VER-V-36-C-VCO-F	\$3,513	\$3,997

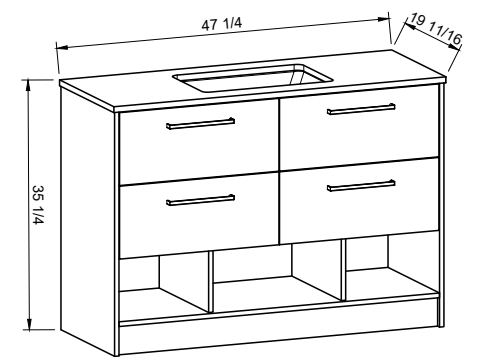
VERA 1200mm/48" SINGLE BOWL

Wall Hung



CABINET WITH	SKU	TIER 1 MSRP	TIER 2 MSRP
Peak/Crest Mineral Composite Top	VER-V-48-C-PEA-W	\$4,803	\$5,310
SilkSurface with Above Counter Sink	VER-V-48-C-SSA-W	\$6,503	\$6,962
SilkSurface with Undermount Sink	VER-V-48-C-SSU-W	\$6,555	\$7,014
Quartz with Above Counter Sink	VER-V-48-C-QUA-W	\$8,074	\$8,582
Quartz with Undermount Sink	VER-V-48-C-QUU-W	\$8,126	\$8,634
Vanity Cabinet Only	VER-V-48-C-VCO-W	\$3,997	\$4,505

Floor Standing



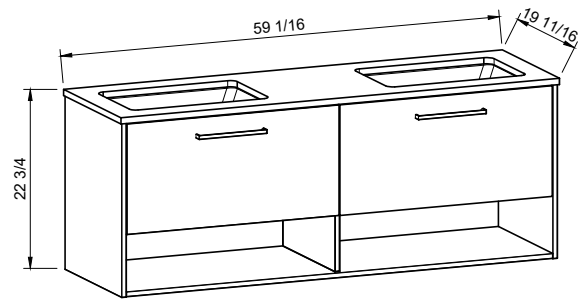
CABINET WITH	SKU	TIER 1 MSRP	TIER 2 MSRP
Peak/Crest Mineral Composite Top	VER-V-48-C-PEA-F	\$5,790	\$6,423
SilkSurface with Above Counter Sink	VER-V-48-C-SSA-F	\$7,490	\$8,075
SilkSurface with Undermount Sink	VER-V-48-C-SSU-F	\$7,542	\$8,127
Quartz with Above Counter Sink	VER-V-48-C-QUA-F	\$9,062	\$9,694
Quartz with Undermount Sink	VER-V-48-C-QUU-F	\$9,114	\$9,746
Vanity Cabinet Only	VER-V-48-C-VCO-F	\$4,985	\$5,617

NOTE: For Crest Mineral Composite tops, depth is shallower (18 1/8"). See page 86 for detailed top sizes.

Vera

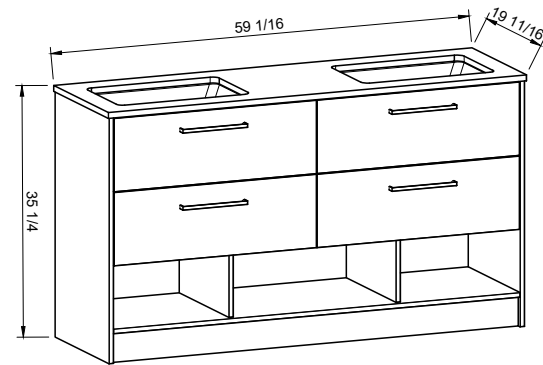
VERA 1500mm/60" SINGLE BOWL

Wall Hung



CABINET WITH	SKU	TIER 1 MSRP	TIER 2 MSRP
Peak/Crest Mineral Composite Top	VER-V-60-D-PEA-W	\$5,462	\$6,052
SilkSurface with Above Counter Sink	VER-V-60-D-SSA-W	\$7,979	\$8,509
SilkSurface with Undermount Sink	VER-V-60-D-SSU-W	\$8,083	\$8,613
Quartz with Above Counter Sink	VER-V-60-D-QUA-W	\$10,485	\$11,075
Quartz with Undermount Sink	VER-V-60-D-QUU-W	\$10,589	\$11,179
Vanity Cabinet Only	VER-V-60-D-VCO-W	\$4,356	\$4,946

Floor Standing

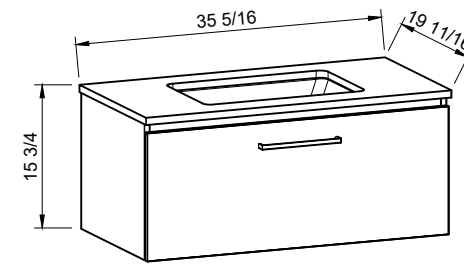


CABINET WITH	SKU	TIER 1 MSRP	TIER 2 MSRP
Peak/Crest Mineral Composite Top	VER-V-60-D-PEA-F	\$3,255	\$3,533
SilkSurface with Above Counter Sink	VER-V-60-D-SSA-F	\$8,977	\$9,630
SilkSurface with Undermount Sink	VER-V-60-D-SSU-F	\$9,081	\$9,734
Quartz with Above Counter Sink	VER-V-60-D-QUA-F	\$2,640	\$2,930
Quartz with Undermount Sink	VER-V-60-D-QUU-F	\$3,457	\$3,800
Vanity Cabinet Only	VER-V-60-D-VCO-F	\$2,390	\$2,649

Wells

WELLS 900mm/36" SINGLE BOWL

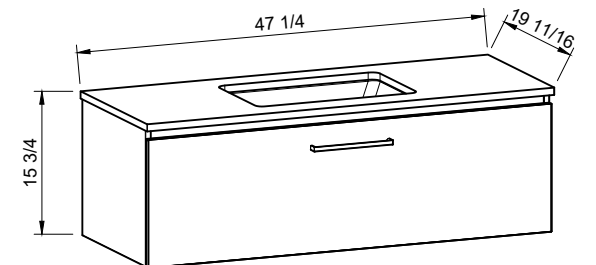
Wall Hung



CABINET WITH	SKU	TIER 1 MSRP	TIER 2 MSRP
Peak/Crest Mineral Composite Top	WEL-V-36-C-PEA-W	\$3,752	\$3,998
SilkSurface with Above Counter Sink	WEL-V-36-C-SSA-W	\$5,388	\$5,599
SilkSurface with Undermount Sink	WEL-V-36-C-SSU-W	\$5,440	\$5,651
Quartz with Above Counter Sink	WEL-V-36-C-QUA-W	\$6,492	\$6,739
Quartz with Undermount Sink	WEL-V-36-C-QUU-W	\$6,544	\$6,791
Vanity Cabinet Only	WEL-V-36-C-VCO-W	\$3,077	\$3,323

WELLS 1200mm/48" SINGLE BOWL

Wall Hung

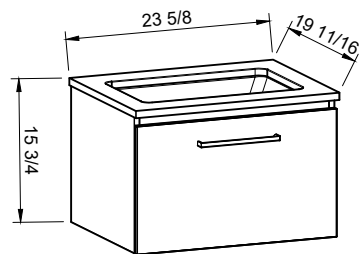


CABINET WITH	SKU	TIER 1 MSRP	TIER 2 MSRP
Peak/Crest Mineral Composite Top	WEL-V-48-C-PEA-W	\$4,740	\$5,046
SilkSurface with Above Counter Sink	WEL-V-48-C-SSA-W	\$6,439	\$6,698
SilkSurface with Undermount Sink	WEL-V-48-C-SSU-W	\$6,491	\$6,750
Quartz with Above Counter Sink	WEL-V-48-C-QUA-W	\$8,011	\$8,318
Quartz with Undermount Sink	WEL-V-48-C-QUU-W	\$8,063	\$8,370
Vanity Cabinet Only	WEL-V-48-C-VCO-W	\$3,934	\$4,241

Wells

WELLS 600mm/24" SINGLE BOWL

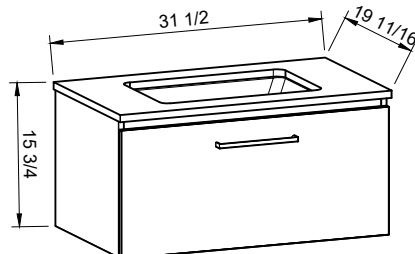
Wall Hung



CABINET WITH	SKU	TIER 1 MSRP	TIER 2 MSRP
Peak/Crest Mineral Composite Top	WEL-V-24-C-PEA-W	\$3,077	\$3,293
SilkSurface with Above Counter Sink	WEL-V-24-C-SSA-W	\$4,304	\$4,496
SilkSurface with Undermount Sink	WEL-V-24-C-SSU-W	\$4,356	\$4,548
Quartz with Above Counter Sink	WEL-V-24-C-QUA-W	\$5,344	\$5,560
Quartz with Undermount Sink	WEL-V-24-C-QUU-W	\$5,396	\$5,612
Vanity Cabinet Only	WEL-V-24-C-VCO-W	\$2,589	\$2,806

WELLS 800mm/32" SINGLE BOWL

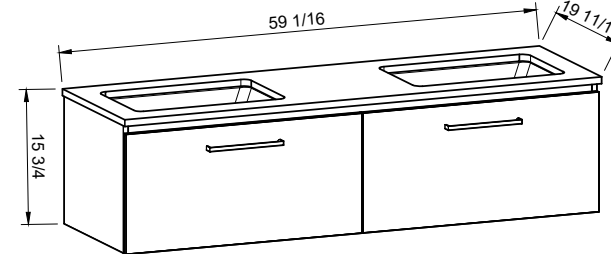
Wall Hung



CABINET WITH	SKU	TIER 1 MSRP	TIER 2 MSRP
Peak/Crest Mineral Composite Top	WEL-V-32-C-PEA-W	\$3,574	\$3,810
SilkSurface with Above Counter Sink	WEL-V-32-C-SSA-W	\$5,118	\$5,322
SilkSurface with Undermount Sink	WEL-V-32-C-SSU-W	\$5,170	\$5,374
Quartz with Above Counter Sink	WEL-V-32-C-QUA-W	\$6,215	\$6,451
Quartz with Undermount Sink	WEL-V-32-C-QUU-W	\$6,267	\$6,503
Vanity Cabinet Only	WEL-V-32-C-VCO-W	\$3,006	\$3,242

WELLS 1500mm/60" DOUBLE BOWL

Wall Hung



CABINET WITH	SKU	TIER 1 MSRP	TIER 2 MSRP
Peak/Crest Mineral Composite Top	WEL-V-60-D-PEA-W	\$5,353	\$5,714
SilkSurface with Above Counter Sink	WEL-V-60-D-SSA-W	\$7,871	\$8,171
SilkSurface with Undermount Sink	WEL-V-60-D-SSU-W	\$7,975	\$8,275
Quartz with Above Counter Sinks	WEL-V-60-D-QUA-W	\$10,376	\$10,737
Quartz with Undermount Sinks	WEL-V-60-D-QUU-W	\$10,480	\$10,841
Vanity Cabinet Only	WEL-V-60-D-VCO-W	\$4,247	\$4,608

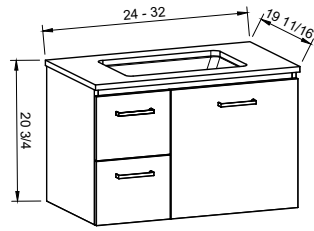
NOTE: For Crest Mineral Composite tops, depth is shallower (18 1/8"). See page 86 for detailed top sizes.

NOTE: For Crest Mineral Composite tops, depth is shallower (18 1/8"). See page 86 for detailed top sizes.

Wall-to-Wall

WALL-TO-WALL 24"-32" SINGLE BOWL

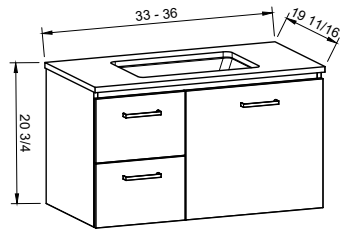
Wall Hung



CABINET WITH	SKU	TIER 1 MSRP	TIER 2 MSRP
SilkSurface with Above Counter Sink	WTW-V-32-C-SSA-W	\$5,068	\$5,291
SilkSurface with Undermount Sink	WTW-V-32-C-SSU-W	\$5,118	\$5,341
Quartz with Above Counter Sink	WTW-V-32-C-QUA-W	\$6,169	\$6,291
Quartz with Undermount Sink	WTW-V-32-C-QUU-W	\$6,220	\$6,342
Vanity Cabinet Only	WTW-V-32-C-VCO-W	\$3,009	\$3,131

WALL-TO-WALL 33"-36" SINGLE BOWL

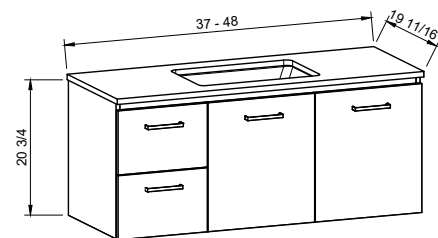
Wall Hung



CABINET WITH	SKU	TIER 1 MSRP	TIER 2 MSRP
SilkSurface with Above Counter Sink	WTW-V-36-C-SSA-W	\$5,326	\$5,556
SilkSurface with Undermount Sink	WTW-V-36-C-SSU-W	\$5,375	\$5,605
Quartz with Above Counter Sink	WTW-V-36-C-QUA-W	\$6,442	\$6,571
Quartz with Undermount Sink	WTW-V-36-C-QUU-W	\$6,493	\$6,622
Vanity Cabinet Only	WTW-V-36-C-VCO-W	\$3,079	\$3,208

WALL-TO-WALL 37"-48" SINGLE BOWL

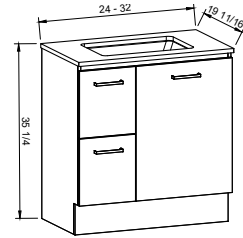
Wall Hung



CABINET WITH	SKU	TIER 1 MSRP	TIER 2 MSRP
SilkSurface with Above Counter Sink	WTW-V-48-C-SSA-W	\$6,423	\$6,707
SilkSurface with Undermount Sink	WTW-V-48-C-SSU-W	\$6,473	\$6,757
Quartz with Above Counter Sink	WTW-V-48-C-QUA-W	\$7,975	\$8,129
Quartz with Undermount Sink	WTW-V-48-C-QUU-W	\$8,027	\$8,180
Vanity Cabinet Only	WTW-V-48-C-VCO-W	\$3,961	\$4,114

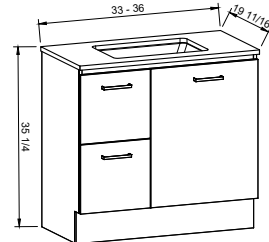
NOTE: Wall-to-Wall are custom orders and may take longer than standard product to manufacture. Exact sizes based on your width will be provided for your approval before production.

Floor Standing



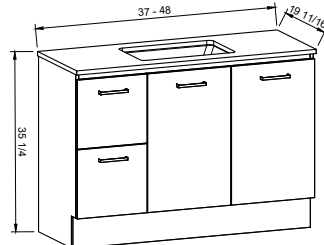
CABINET WITH	SKU	TIER 1 MSRP	TIER 2 MSRP
SilkSurface with Above Counter Sink	WTW-V-32-C-SSA-F	\$5,644	\$5,950
SilkSurface with Undermount Sink	WTW-V-32-C-SSU-F	\$5,694	\$5,999
Quartz with Above Counter Sink	WTW-V-32-C-QUA-F	\$6,765	\$4,676
Quartz with Undermount Sink	WTW-V-32-C-QUU-F	\$6,816	\$7,023
Vanity Cabinet Only	WTW-V-32-C-VCO-F	\$3,604	\$3,811

Floor Standing



CABINET WITH	SKU	TIER 1 MSRP	TIER 2 MSRP
SilkSurface with Above Counter Sink	WTW-V-36-C-SSA-F	\$5,931	\$6,249
SilkSurface with Undermount Sink	WTW-V-36-C-SSU-F	\$5,980	\$6,299
Quartz with Above Counter Sink	WTW-V-36-C-QUA-F	\$7,068	\$7,288
Quartz with Undermount Sink	WTW-V-36-C-QUU-F	\$7,119	\$7,340
Vanity Cabinet Only	WTW-V-36-C-VCO-F	\$3,705	\$3,925

Floor Standing

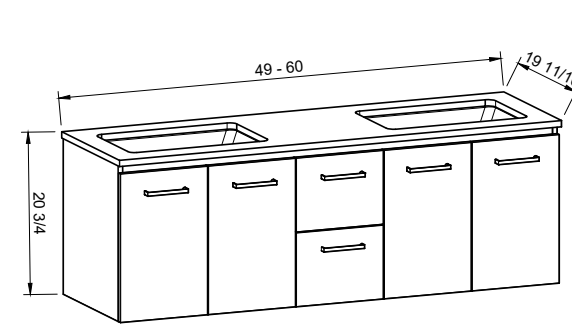


CABINET WITH	SKU	TIER 1 MSRP	TIER 2 MSRP
SilkSurface with Above Counter Sink	WTW-V-48-C-SSA-F	\$7,141	\$7,528
SilkSurface with Undermount Sink	WTW-V-48-C-SSU-F	\$7,191	\$7,578
Quartz with Above Counter Sink	WTW-V-48-C-QUA-F	\$8,718	\$8,978
Quartz with Undermount Sink	WTW-V-48-C-QUU-F	\$8,769	\$9,029
Vanity Cabinet Only	WTW-V-48-C-VCO-F	\$4,703	\$4,963

Wall-to-Wall

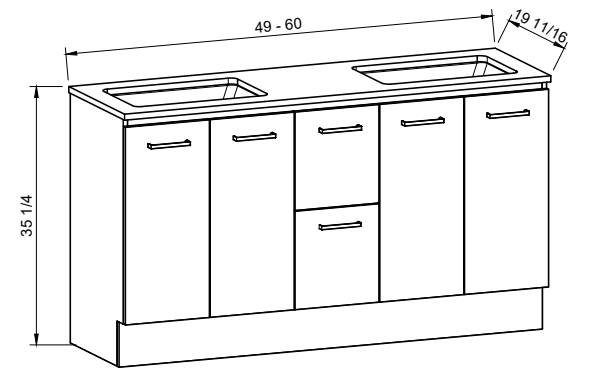
WALL-TO-WALL 60" DOUBLE BOWL

Wall Hung



CABINET WITH	SKU	TIER 1 MSRP	TIER 2 MSRP
SilkSurface with Above Counter Sink	WTW-V-60-D-SSA-W	\$8,502	\$8,825
SilkSurface with Undermount Sink	WTW-V-60-D-SSU-W	\$8,601	\$8,924
Quartz with Above Counter Sinks	WTW-V-60-D-QUA-W	\$11,044	\$6,773
Quartz with Undermount Sinks	WTW-V-60-D-QUU-W	\$11,147	\$6,842
Vanity Cabinet Only	WTW-V-60-D-VCO-W	\$5,009	\$5,178

Floor Standing

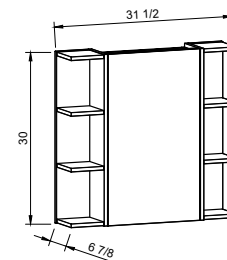


CABINET WITH	SKU	TIER 1 MSRP	TIER 2 MSRP
SilkSurface with Above Counter Sink	WTW-V-60-D-SSA-F	\$9,522	\$9,950
SilkSurface with Undermount Sink	WTW-V-60-D-SSU-F	\$9,621	\$10,049
Quartz with Above Counter Sinks	WTW-V-60-D-QUA-F	\$12,100	\$12,377
Quartz with Undermount Sinks	WTW-V-60-D-QUU-F	\$12,202	\$12,480
Vanity Cabinet Only	WTW-V-60-D-VCO-F	\$6,064	\$6,342

Mirrored Cabinets

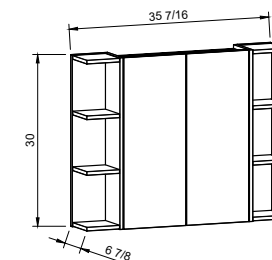
ISLA

800mm / 32"



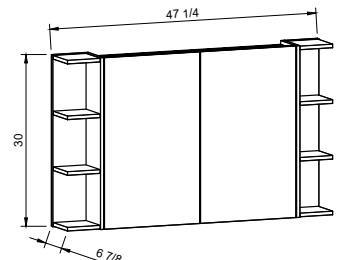
SKU	TIER 1 MSRP	TIER 2 MSRP
ISL-MC-32-W	\$2,543	\$2,868

900mm / 36"



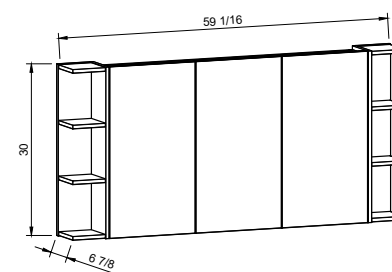
SKU	TIER 1 MSRP	TIER 2 MSRP
ISL-MC-36-W	\$2,686	\$3,026

1200mm / 48"



SKU	TIER 1 MSRP	TIER 2 MSRP
ISL-MC-48-W	\$3,327	\$3,712

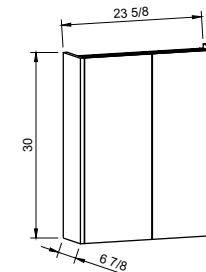
1500mm / 60"



SKU	TIER 1 MSRP	TIER 2 MSRP
ISL-MC-60-W	\$3,683	\$4,114

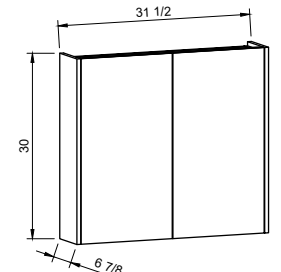
JUNIPER

600mm / 24"



SKU	TIER 1 MSRP	TIER 2 MSRP
JUN-MC-24-W	\$2,344	\$2,613

800mm / 32"

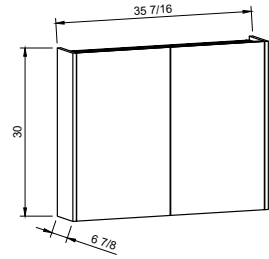


SKU	TIER 1 MSRP	TIER 2 MSRP
JUN-MC-32-W	\$2,541	\$2,840

Mirrored Cabinets

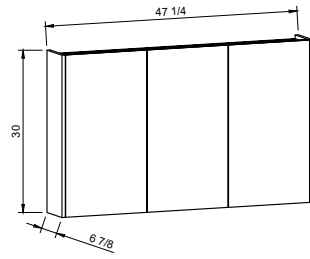
JUNIPER CONTINUED

900mm / 36"



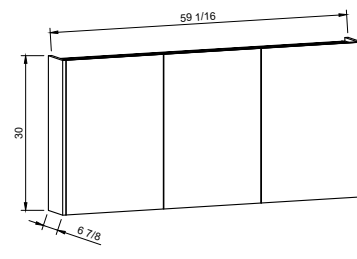
SKU	TIER 1 MSRP	TIER 2 MSRP
JUN-MC-36-W	\$2,645	\$2,959

1200mm / 48"



SKU	TIER 1 MSRP	TIER 2 MSRP
JUN-MC-48-W	\$3,349	\$3,709

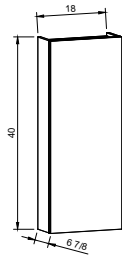
1500mm / 60"



SKU	TIER 1 MSRP	TIER 2 MSRP
JUN-MC-60-W	\$3,656	\$4,060

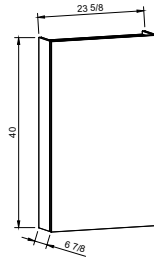
RIDGE

400mm / 16"



SKU	TIER 1 MSRP	TIER 2 MSRP
RID-MC-16-W	\$2,319	\$2,582

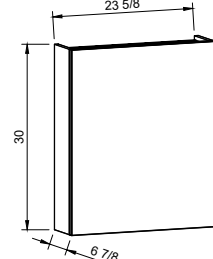
600mm / 24"



SKU	TIER 1 MSRP	TIER 2 MSRP
RID-MC-24-W	\$2,578	\$2,878

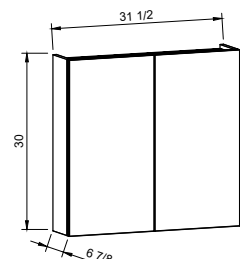
SAGE

600mm / 24"



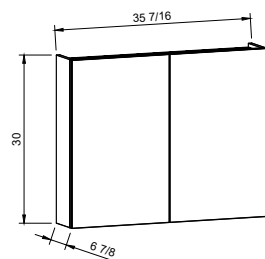
SKU	TIER 1 MSRP	TIER 2 MSRP
SAG-MC-24-W	\$2,320	\$2,588

800mm / 32"



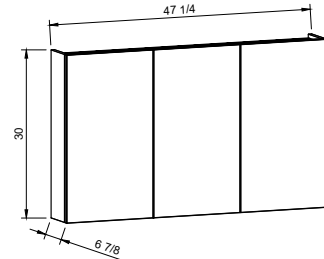
SKU	TIER 1 MSRP	TIER 2 MSRP
SAG-MC-32-W	\$2,535	\$2,829

900mm / 36"



SKU	TIER 1 MSRP	TIER 2 MSRP
SAG-MC-36-W	\$2,641	\$2,951

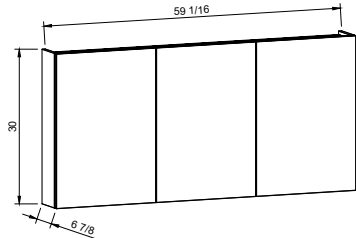
1200mm / 48"



SKU	TIER 1 MSRP	TIER 2 MSRP
SAG-MC-48-W	\$3,358	\$3,713

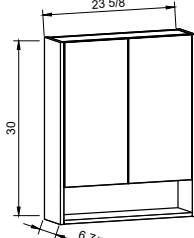
WILLOW

1500mm / 60"



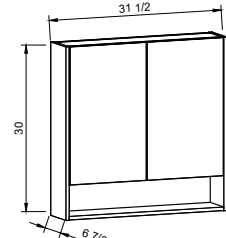
SKU	TIER 1 MSRP	TIER 2 MSRP
SAG-MC-60-W	\$3,673	\$4,073

600mm / 24"



SKU	TIER 1 MSRP	TIER 2 MSRP
WIL-MC-24-W	\$2,373	\$2,668

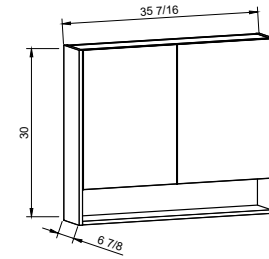
800mm / 32"



SKU	TIER 1 MSRP	TIER 2 MSRP
WIL-MC-32-W	\$2,566	\$2,887

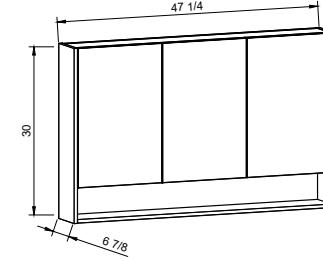
Mirrored Cabinets

900mm / 36"



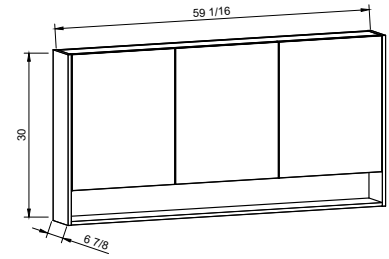
SKU	TIER 1 MSRP	TIER 2 MSRP
WIL-MC-36-W	\$2,670	\$3,006

1200mm / 48"



SKU	TIER 1 MSRP	TIER 2 MSRP
WIL-MC-48-W	\$3,375	\$3,757

1500mm / 60"

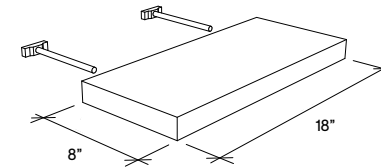


SKU	TIER 1 MSRP	TIER 2 MSRP
WIL-MC-60-W	\$3,681	\$4,109

Floating Shelves

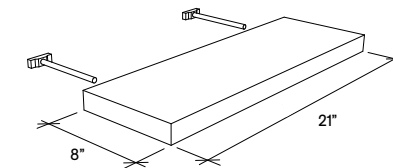
FLOATING SHELVES

450mm / 18"



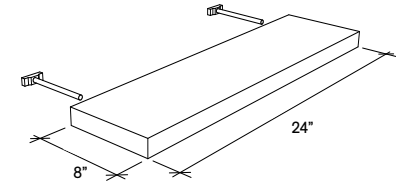
SKU	TIER 1 MSRP	TIER 2 MSRP
FSH-S-18-W	\$407	\$425

525mm / 21"



SKU	TIER 1 MSRP	TIER 2 MSRP
FSH-S-21-W	\$422	\$456

600mm / 24"

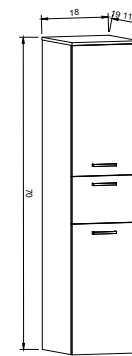


SKU	TIER 1 MSRP	TIER 2 MSRP
FSH-S-24-W	\$290	\$473

Linen Closets

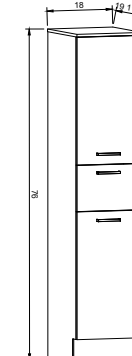
BRIAR

450mm / 18" Wall Hung



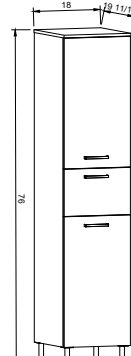
SKU	TIER 1 MSRP	TIER 2 MSRP
BRI-LC-18-W	\$4,087	\$4,636

450mm / 18" Floor Standing



SKU	TIER 1 MSRP	TIER 2 MSRP
BRI-LC-18-F	\$4,237	\$4,817

450mm / 18" On Legs

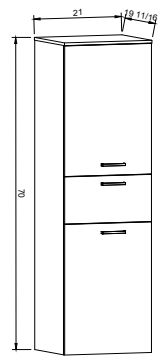


SKU	TIER 1 MSRP	TIER 2 MSRP
BRI-LC-18-L	\$4,237	\$4,817

Linen Closets

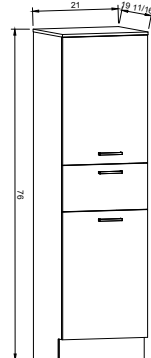
BRIAR CONTINUED

525mm / 21" Wall Hung



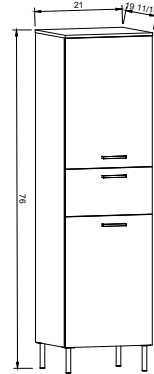
SKU	TIER 1 MSRP	TIER 2 MSRP
BRI-LC-21-W	\$4,252	\$4,829

525mm / 21" Floor Standing



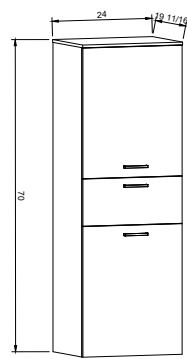
SKU	TIER 1 MSRP	TIER 2 MSRP
BRI-LC-21-F	\$4,412	\$5,021

525mm / 21" On Legs



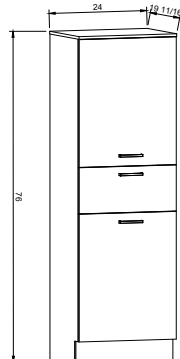
SKU	TIER 1 MSRP	TIER 2 MSRP
BRI-LC-21-L	\$4,412	\$5,021

600mm / 24" Wall Hung



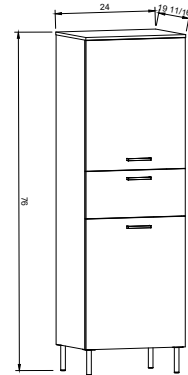
SKU	TIER 1 MSRP	TIER 2 MSRP
BRI-LC-24-W	\$4,417	\$5,021

600mm / 24" Floor Standing



SKU	TIER 1 MSRP	TIER 2 MSRP
BRI-LC-24-F	\$4,586	\$5,224

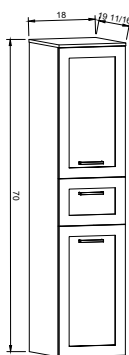
600mm / 24" On Legs



SKU	TIER 1 MSRP	TIER 2 MSRP
BRI-LC-24-L	\$4,586	\$5,224

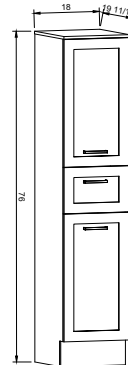
DUNE

450mm / 18" Wall Hung



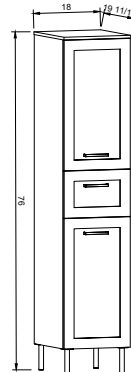
SKU	TIER 2 MSRP
DUN-LC-18-W	\$5,118

450mm / 18" Floor Standing



SKU	TIER 2 MSRP
DUN-LC-18-F	\$5,270

450mm / 18" On Legs

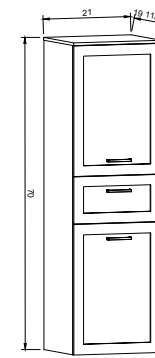


SKU	TIER 2 MSRP
DUN-LC-18-L	\$5,270

Linen Closets

DUNE CONTINUED

525mm / 21" Wall Hung



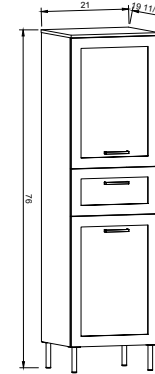
SKU	TIER 2 MSRP
DUN-LC-21-W	\$5,390

525mm / 21" Floor Standing



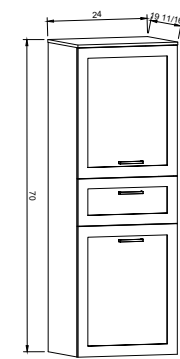
SKU	TIER 2 MSRP
DUN-LC-21-F	\$5,551

525mm / 21" On Legs



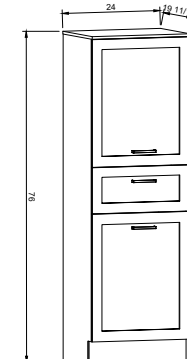
SKU	TIER 2 MSRP
DUN-LC-21-L	\$5,551

600mm / 24" Wall Hung



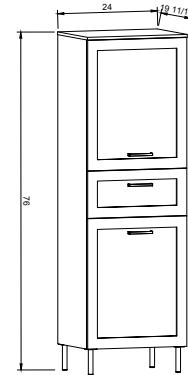
SKU	TIER 2 MSRP
DUN-LC-24-W	\$5,661

600mm / 24" Floor Standing



SKU	TIER 2 MSRP
DUN-LC-24-F	\$5,831

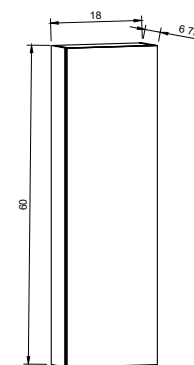
600mm / 24" On Legs



SKU	TIER 2 MSRP
DUN-LC-24-L	\$5,831

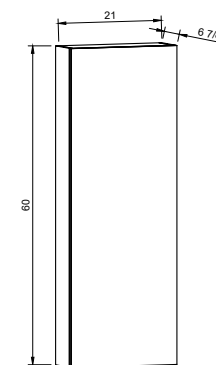
TERRA

450mm / 18" Wall Hung



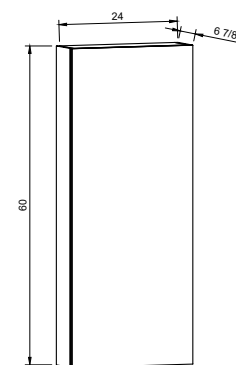
SKU	TIER 1 MSRP	TIER 2 MSRP
TER-LC-18-W	\$2,841	\$3,169

525mm / 21" Wall Hung



SKU	TIER 1 MSRP	TIER 2 MSRP
TER-LC-21-W	\$2,973	\$3,320

600mm / 24" Wall Hung



SKU	TIER 1 MSRP	TIER 2 MSRP
TER-LC-24-W	\$3,108	\$3,421

Linen Closets

VALE

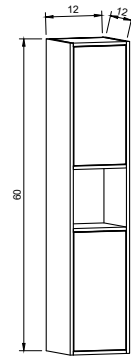
300mm / 12" Wall Hung



SKU	TIER 1 MSRP	TIER 2 MSRP
VAL-LC-12-W	\$3,454	\$3,974

WREN

300mm / 12" Wall Hung



SKU	TIER 1 MSRP	TIER 2 MSRP
WRE-LC-12-W	\$3,454	\$3,974



Already picked a color palette for your bathroom?

Custom order your vanity in any **Benjamin Moore** or **Sherwin Williams** paint color!

Use SKU **ANY-PAIN-T-COLOR** to order in a custom paint color. Available anywhere paint is available.

Shown in **Benjamin Moore Blue Nova**, Color of the year 2024.



Want a Full Depth Vanity?

Upgrade to a 22 1/2" Deep Vanity with a SilkSurface or Quartz Top

Cabinet Customization and Upgrades

Love a vanity but wish it was just a bit taller? Or had one more drawer? Use our easy customizing option pricelist to easily make your vanity exactly as you want it. Use the Custom Vanity Order Form on the resources page of our website to let us know how to customize your vanity.



CABINET SIZE CUSTOMIZATION AND UPGRADES

Cabinet Size Upgrade Customizing Options		
	SKU	MSRP
Add extra drawer (per drawer)	CUST-DRAW-ADD	\$297
Delete drawers and have doors only	DOORS-ONLY	No Cost
Change grain direction to vertical (excluding toe kicks over 4")	VER-GRAIN	\$110
Increase vanity cabinet height or depth (Max 6") (Does not apply to top)	CUST-INCREASE-CAB	\$212
Upgrade toe kick to seamless toe kick across multiple vanities and/or linen closets (up to 8')	CUST-TOEKICK	\$148



ADD DRAWERS (EA) | CUST-DRAW-ADD | \$199



REMOVE DRAWERS | DOORS-ONLY | \$0



SEAMLESS TOEKICK | CUST-TOEKICK | \$99

FULL DEPTH CABINET UPGRADES

Full Depth Upgrade Customizing Options		
	SKU	MSRP
Increase vanity to full depth (Cabinet Only) 21" Cabinet Box to suit 22 1/2" Countertop	FULL-DEPTH-CAB	\$212
Increase vanity to full depth (Includes SilkSurface Top) 21" Cabinet Box , 22 1/2" Countertop	FULL-DEPTH-CAB-SS	\$877
Increase vanity to full depth (Includes Quartz Top) 21" Cabinet Box , 22 1/2" Countertop	FULL-DEPTH-CAB-QU	\$610



INCREASE VANITY TO FULL DEPTH WITH SILKSURFACE TOP (21" Cabinet Box , 22 1/2" Countertop) | FULL-DEPTH-CAB-SS | \$409

Cabinet Customization and Upgrades

COLOR UPGRADES

Color Upgrade Customizing Options		
	SKU	MSRP
Custom finish your cabinet in any Sherwin Williams or Benjamin Moore paint color	ANY-PAINT-COLOR	\$746
Upgrade the interior of your cabinet to match the exterior. Drawers will remain white.	MATCH-INTERIOR	\$259



CUSTOM BENJAMIN MOORE OR SHERWIN WILLIAMS COLOR | ANY-PAINT-COLOR | \$500 (SHOWN IN BM TOPAZ)

UPGRADE INTERIOR TO MATCH EXTERIOR | MATCH-INTERIOR | \$220

COUNTERTOP SIZE CUSTOMIZATION AND UPGRADES

Countertop Upgrade Customizing Options		
	SKU	MSRP
Increase SilkSurface top width or depth (Max 6")	CUST-INCREASE-SS	\$398
Increase Quartz top width or depth (Max 6")	CUST-INCREASE-QU	\$665
Add 4" high Backsplash in SilkSurface	BACKSPLASH-SS	\$435
Add 4" high Sidesplash in SilkSurface	SIDESPLASH-SS	\$313
Add 4" high Backsplash in Quartz	BACKSPLASH-QU	\$720
Add 4" high Sidesplash in Quartz	SIDESPLASH-QU	\$628



ADD 4" HIGH BACKSPLASH | BACKSPLASH-QU | \$483

CABINET OUTLETS

Leave your shaver charging or your hair dryer permanently plugged in for easy use. For multi-drawer cabinets just let us know which drawer you would like your in-drawer outlet in.

Please note that a wall outlet to plug the in-drawer outlet into will be required behind the vanity. Standard position for in-drawer power points is top left drawer unless specified otherwise.



Cabinet Outlets		
	SKU	MSRP (EA)
In-Drawer Outlet	PPT-OPT-INDRW	\$529
Mirrored Cabinet Outlet	PPT-OPT-MMC	\$529

UNDERCABINET LIGHTING

These beautiful lighting kits can be ordered as optional extras on any vanity, mirrored cabinet or linen closet. They come fully installed. All you need to do is have your electrician provide a connection and your chosen switching.

It mounts underneath the cabinet or if your cabinet is floor standing, it mounts just above the toekick. **Requires switched outlet.**



Cabinet Lighting		
	SKU	MSRP (EA)
LED Under Cabinet lighting kit complete with plugin transformer	LIGHT-KIT	\$529

FILLERS AND PANELS

Need to mount your vanity against a wall? Order a filler panel for next to your vanity, mirrored cabinet or linen closet for easy install. The filler panel, which is 3" x cabinet height, and 5/8" thick, can be cut to size onsite for exact measurements. If ordered with a top, we will account for the filler width.

Fillers and Panels		
	SKU	MSRP (EA)
Filler - Left or Right Vanity Filler Panel (4" wide x Vanity Height x 5/8" thick)	FIL-PAN	\$113
Filler - Left or Right Linen Closet Filler Panel (4" wide x Cabinet Height x 5/8" thick)	FIL-PAN-TALL	\$140



Vanity Tops

Prices are for purchasing tops independently. Integrated one-piece tops, such as the Peak and Crest tops do not need an additional sink. If you are purchasing a Quartz or SilkSurface top only, sink/s are not included and will be need to be ordered as well.



Peak Gloss Mineral Composite Top
(With overflow to back. Chrome or White overflow outlet only.)



Crest Gloss Mineral Composite Top
(With overflow to back. Chrome or White overflow outlet only.)

Normal Depth - 19 11/16"

Sizes		Peak (Mineral Composite)		Quartz for Vessel Sink		Quartz for Undermount	
TOP SIZE (mm)	TOP SIZE (INCHES)	SKU	MSRP	SKU	MSRP	SKU	MSRP
600 x 500	23 5/8" x 19 11/16"	PEA-TP-24-C	\$633	QUA-TP-24-C	\$2,984	QUU-TP-24-C	\$2,984
800 x 500	31 1/2" x 19 11/16"	PEA-TP-32-C	\$714	QUA-TP-32-C	\$3,439	QUU-TP-32-C	\$3,439
900 x 500	35 7/16" x 19 11/16"	PEA-TP-36-C	\$821	QUA-TP-36-C	\$3,645	QUU-TP-36-C	\$3,645
1200 x 500	47 1/4" x 19 11/16"	PEA-TP-48-C	\$951	QUA-TP-48-C	\$4,307	QUU-TP-48-C	\$4,307
1500 x 500 Double	59 1/16" x 19 11/16"	PEA-TP-60-D	\$1,251	QUA-TP-60-D	\$6,443	QUU-TP-60-D	\$6,443

Normal Depth - 19 11/16"

Sizes		SilkSurface for Vessel Sink		SilkSurface for Undermount	
TOP SIZE (mm)	TOP SIZE (INCHES)	SKU	MSRP	SKU	MSRP
600 x 500	23 5/8" x 19 11/16"	SSA-TP-24-C	\$1,944	SSU-TP-24-C	\$1,944
800 x 500	31 1/2" x 19 11/16"	SSA-TP-32-C	\$2,342	SSU-TP-32-C	\$2,342
900 x 500	35 7/16" x 19 11/16"	SSA-TP-36-C	\$2,541	SSU-TP-36-C	\$2,541
1200 x 500	47 1/4" x 19 11/16"	SSA-TP-48-C	\$3,137	SSU-TP-48-C	\$3,137
1500 x 500 Double	59 1/16" x 19 11/16"	SSA-TP-60-D	\$4,340	SSU-TP-60-D	\$4,340

Shallow Depth - 18 1/8"

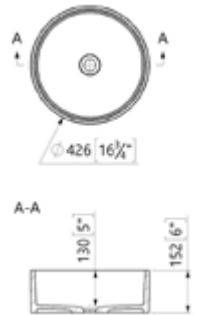
Sizes		Crest (Mineral Composite)	
TOP SIZE (mm)	TOP SIZE (INCHES)	SKU	MSRP
610 x 460	24 1/8" x 18 1/8"	CRE-TP-24-C	\$633
810 x 460	31 7/8" x 18 1/8"	CRE-TP-32-C	\$714
910 x 460	35 13/16" x 18 1/8"	CRE-TP-36-C	\$821
1200 x 460	47 1/4" x 18 1/8"	CRE-TP-48-C	\$951
1500 x 460 Double	59 1/16" x 18 1/8"	CRE-TP-60-D	\$1,251

Sink Collection

Prices are for purchasing sinks independently. Vanities with above counter vessel or undermount sinks include the sink in their price.

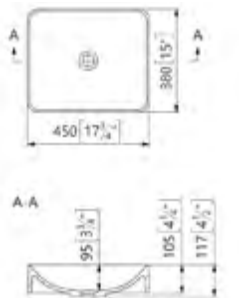
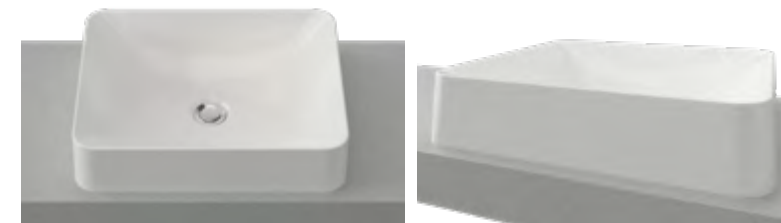
Round White

Mineral Composite
BAS-17-ROU | \$667



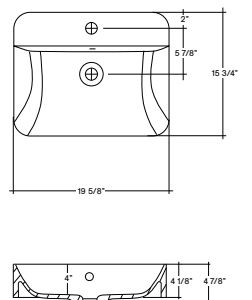
Square White

Mineral Composite
BAS-18-SQU | \$667



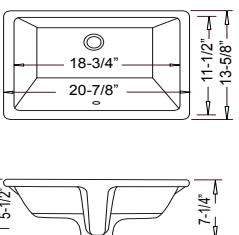
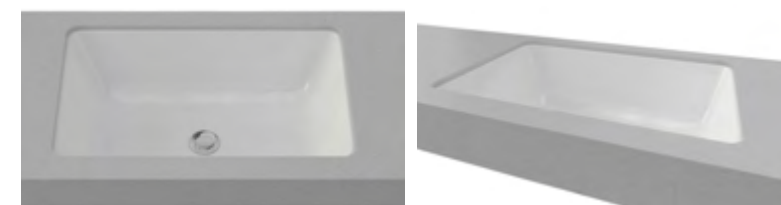
Rectangle White

Mineral Composite
BAS-20-REC | \$667



Undermount Sink

Ceramic
BAS-21-UND | \$667



NOTE: Wastes not included for any sinks. Rectangle sink shown with faucet. Faucet is not provided but faucet landing is (Rectangle sink only).



Timberline

www.timberlinebp.com

For your nearest distributor go to timberlinebp.com/find-a-store/

SEPTEMBER 2024 - FEBRUARY 2025

300 Industrial Drive, Redwood Falls, MN 56283

T: 1.888.844.0102

E: sales.usa@timberlinebp.com