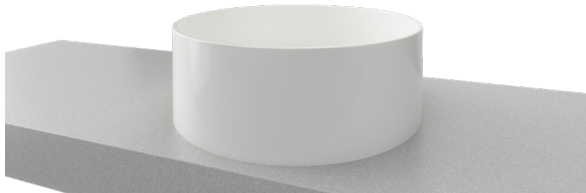
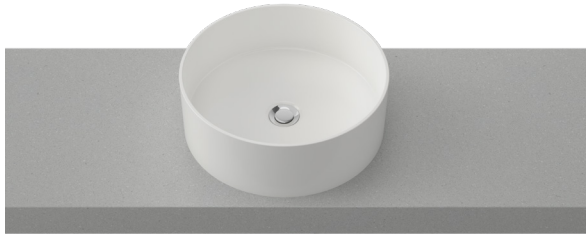
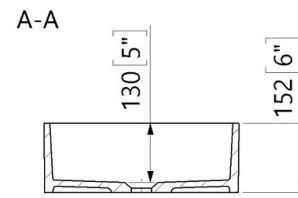
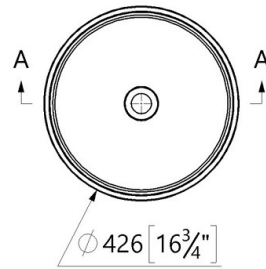


Round

WG White Gloss
BAS380ROU

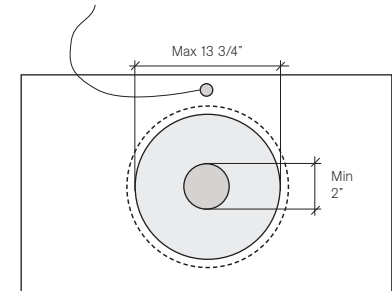


Images



Drawings

Faucet hole(s) can be behind, offset, or wall mount



Cutout Specs

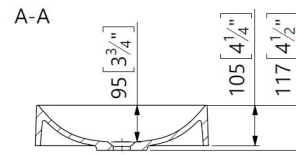
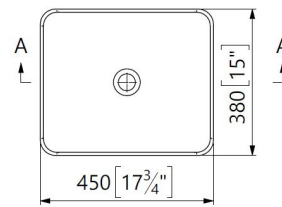
Material: Mineral Composite
Cut Out Size: 2"-13 3/4"
Waste Size: 1 5/8" without overflow

Square

WG White Gloss
BAS450SQU

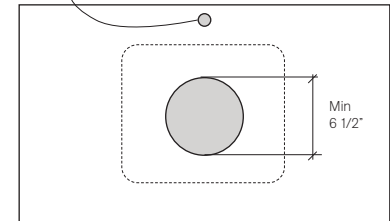


Images



Drawings

Faucet hole(s) can be behind, offset, or wall mount



Cutout Specs

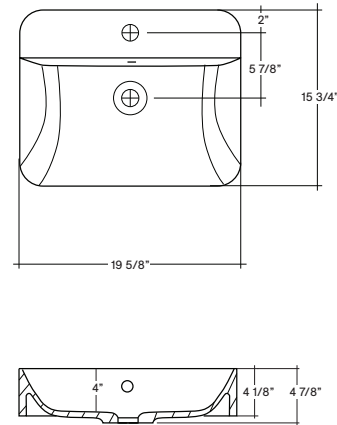
Material: Mineral Composite
Cut Out Size: 6 1/2"
Waste Size: 1 5/8" without overflow

Rectangle

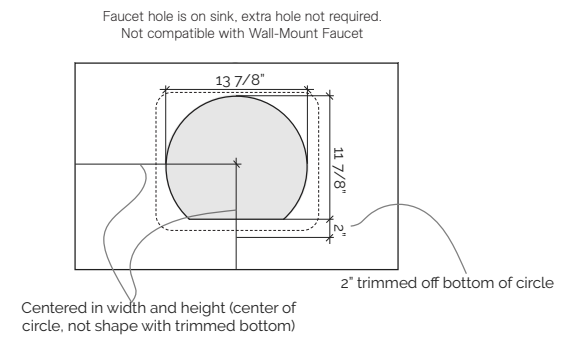
WG White Gloss
BAS500REC



Images



Drawings



Cutout Specs

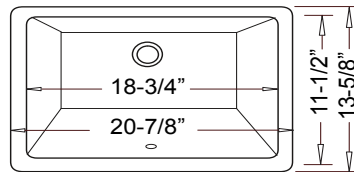
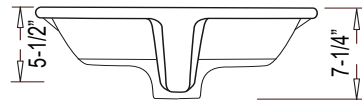
Material: Mineral Composite
Cut Out Size: 13 7/8" w x 11 7/8" d
Waste Size: 1 5/8" with overflow

Undermount

WG White Gloss
BAS-477-UND

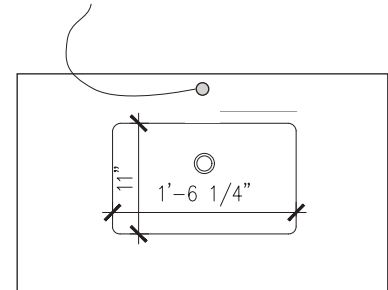


Images



Drawings

Faucet hole(s) can be behind, offset, or wall mount



Cutout Specs

Material: Ceramic
Cut Out Size: 30 1/4" w x 11" d
Waste Size: 1 1/2" with overflow