



| | |
|------------------------|-------------------------|
| Range | Kodiak |
| Mount | Wall |
| Size (Metric) | 900mm |
| Size Equiv. (Imperial) | 36in |
| SKU | KOD-V-900-C-(Top Sku)-W |

TOP DETAILS

| Available Tops | |
|----------------|-------------------------------|
| ...C-PEA-W | Peak-One Piece Top |
| ...C-QUA-W | Quartz Top-Above Counter Sink |
| ...C-QUU-W | Quartz Top-Undermount Sink |
| ...C-X-W | No Top |

NOTES

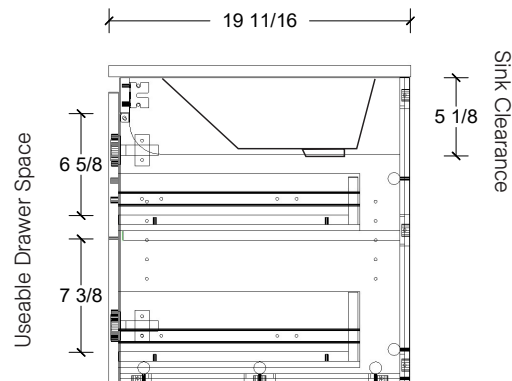
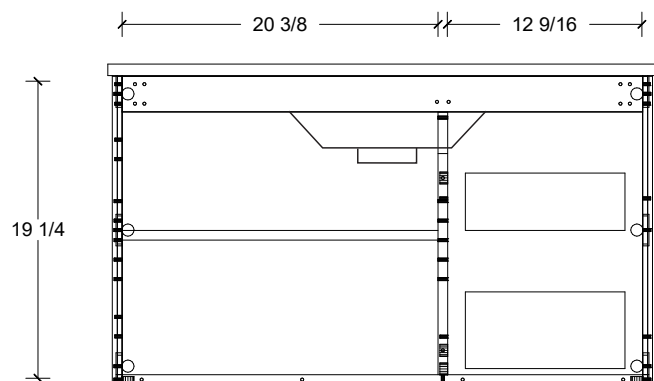
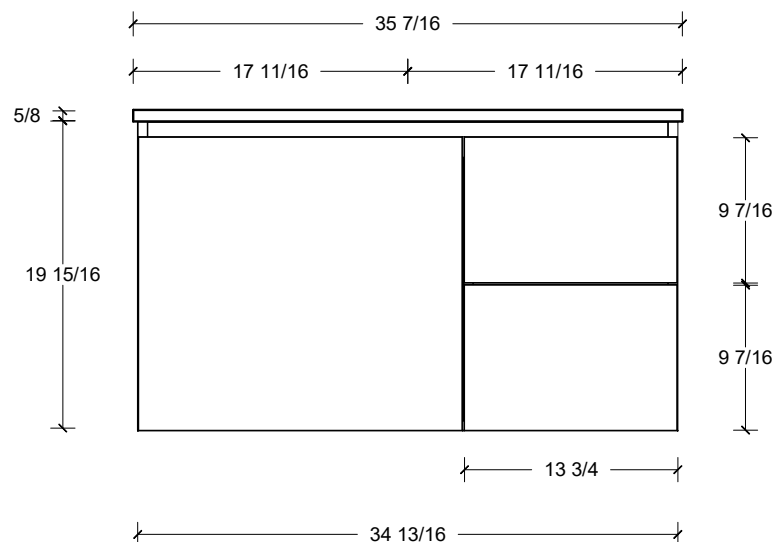
| | |
|----------|----------------------------|
| Revision | 1 |
| Date | September 14, 2023 3:15 PM |

DIMENSIONS ARE NOMINAL ONLY
AND SUBJECT TO CHANGE AT ANY TIME.
DO NOT SCALE DRAWINGS.
INSTALLER TO CONFIRM ALL
DIMENSIONS

Copyright ©

Timberline

300 Industrial Drive
Redwood Falls MN 56283
sales.usa@timberlinebp.com
www.timberlinebp.com



Left or right hand drawers available.



| | |
|------------------------|-------------------------|
| Range | Kodiak |
| Mount | Wall |
| Size (Metric) | 900mm |
| Size Equiv. (Imperial) | 36in |
| SKU | KOD-V-900-C-(Top Sku)-W |

TOP DETAILS

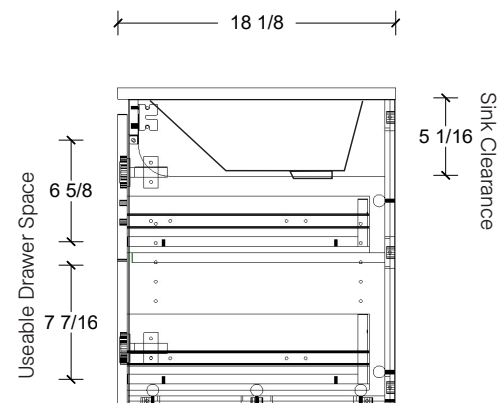
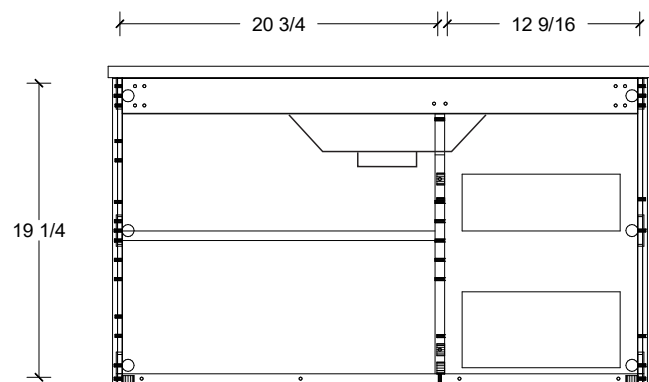
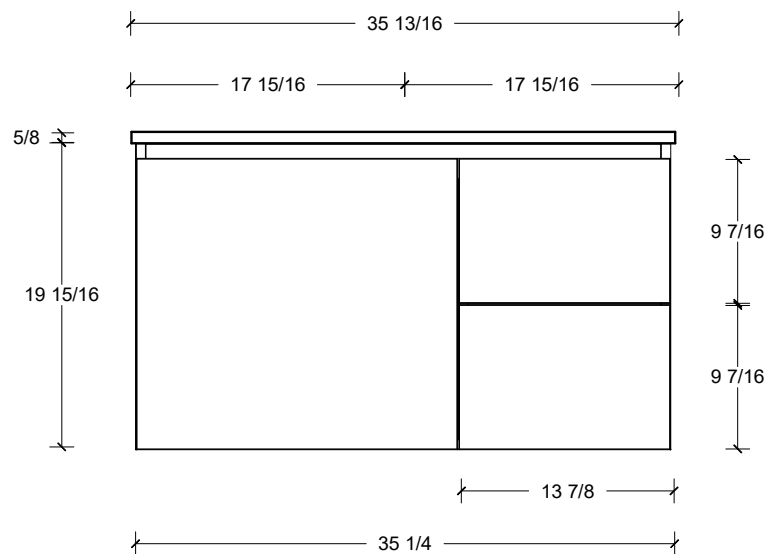
| | |
|----------------|---------------------|
| Available Tops | |
| ...C-CRE-W | Crest-One Piece Top |

NOTES

| | |
|----------|----------------------------|
| Revision | 1 |
| Date | September 14, 2023 3:15 PM |

DIMENSIONS ARE NOMINAL ONLY
AND SUBJECT TO CHANGE AT ANY TIME.
DO NOT SCALE DRAWINGS.
INSTALLER TO CONFIRM ALL
DIMENSIONS

Copyright ©



Left or right hand drawers available.

Timberline

300 Industrial Drive
Redwood Falls MN 56283
sales.usa@timberlinebp.com
www.timberlinebp.com