

Left or right hand drawers available.

|                        |                         |
|------------------------|-------------------------|
| Range                  | Cullen                  |
| Mount                  | Wall                    |
| Size (Metric)          | 800mm                   |
| Size Equiv. (Imperial) | 32in                    |
| SKU                    | CUL-V-800-C-(Top Sku)-W |

#### TOP DETAILS

| Available Tops |                               |
|----------------|-------------------------------|
| ...C-PEA-W     | Peak-One Piece Top            |
| ...C-QUA-W     | Quartz Top-Above Counter Sink |
| ...C-QUU-W     | Quartz Top-Undermount Sink    |
| ...C-X-W       | No Top                        |

#### NOTES

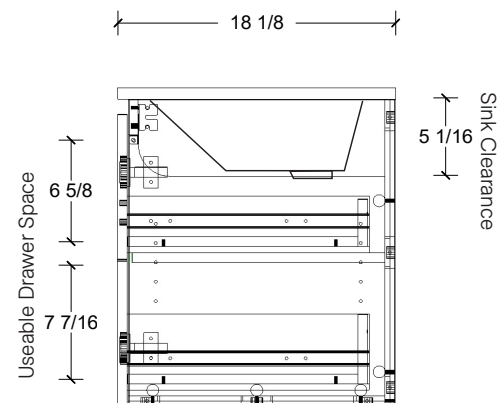
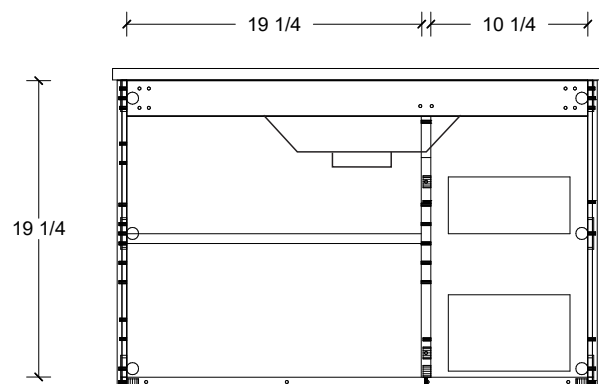
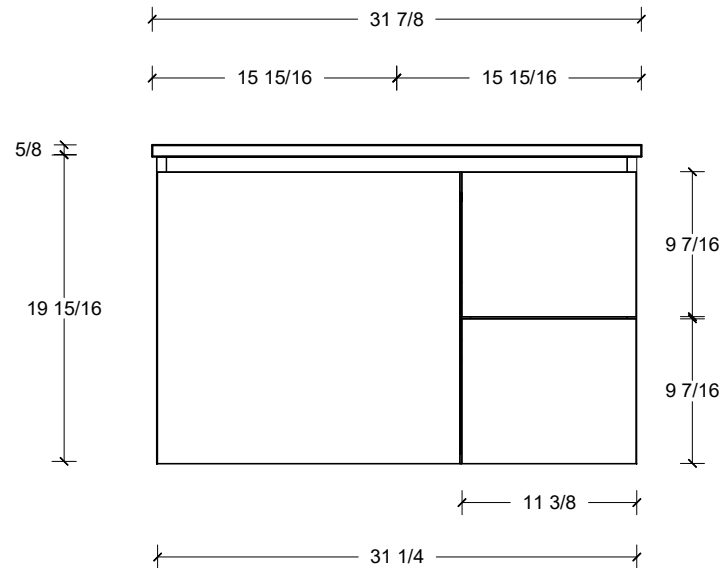
|          |                            |
|----------|----------------------------|
| Revision | 1                          |
| Date     | September 14, 2023 3:20 PM |

DIMENSIONS ARE NOMINAL ONLY  
AND SUBJECT TO CHANGE AT ANY TIME.  
DO NOT SCALE DRAWINGS.  
INSTALLER TO CONFIRM ALL  
DIMENSIONS

Copyright ©

# Timberline

300 Industrial Drive  
Redwood Falls MN 56283  
sales.usa@timberlinebp.com  
www.timberlinebp.com



Left or right hand drawers available.

|                        |                         |
|------------------------|-------------------------|
| Range                  | Cullen                  |
| Mount                  | Wall                    |
| Size (Metric)          | 800mm                   |
| Size Equiv. (Imperial) | 32in                    |
| SKU                    | CUL-V-800-C-(Top Sku)-W |

#### TOP DETAILS

|                |                     |
|----------------|---------------------|
| Available Tops |                     |
| ...C-CRE-W     | Crest-One Piece Top |

#### NOTES

|          |                            |
|----------|----------------------------|
| Revision | 1                          |
| Date     | September 14, 2023 3:20 PM |

DIMENSIONS ARE NOMINAL ONLY  
AND SUBJECT TO CHANGE AT ANY TIME.  
DO NOT SCALE DRAWINGS.  
INSTALLER TO CONFIRM ALL  
DIMENSIONS

Copyright ©

# Timberline

300 Industrial Drive  
Redwood Falls MN 56283  
sales.usa@timberlinebp.com  
www.timberlinebp.com